

Manufacturer

Arborite
385 Lafleur, Lasalle (Québec), H8R 3H7
Web site: www.arborite.com - Phone: 1-800-996-0366
Alternate manufacturing facility – Fletcher, NC

Product Description

Arborite Decorative Edge moldings may well be the best way to attain leading-edge kitchen and bath design without a leading edge budget. The simple addition of decorative moldings can transform an ordinary laminate countertop into a real design statement, by eliminating the brown. Crescent Decorative edge moldings are available in Arborite Panorama collection designs. Check availability for each specific decorative edge design.

The Decorative Edge concept is a simple one. So simple that thousands of qualified fabricators across North America are creating custom looks with laminate-clad Decorative Edge moldings every day. They are so durable we've given them a ten-year limited warranty against face edge delamination.

So if you're building or remodeling a kitchen or bath, Decorative Edge moldings are the affordable design option you just can't afford to overlook.

- Crescent: the Crescent Edge invites the eye and warms up décor with soft curves at top and bottom.



Crescent Decorative Edge

Guaranteed Ten Years

Unlike some molding products, laminate-clad moldings are made with medium density fiberboard (MDF), to which decorative laminate is bonded. Because of this assembly technique, it's practically impossible for the face edge of the molding to delaminate. In fact, we have so much confidence in the performance of laminate-clad moldings we back them with a ten-year warranty against face edge delamination. See your Arborite products distributor for complete details.

Safety

Safety should be a critical concern for any fabrication shop. Good safety practice may lower your insurance rates – but most important, they will keep you and your colleagues injury-free and on the job.

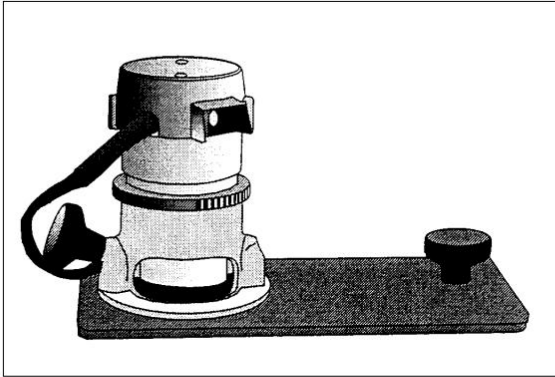
Wear safety glasses with side shields when you are cutting or routing.

The edge of Arborite Decorative Edge moldings are razor sharp. It is recommended to use gloves when handling Arborite Decorative Edge.

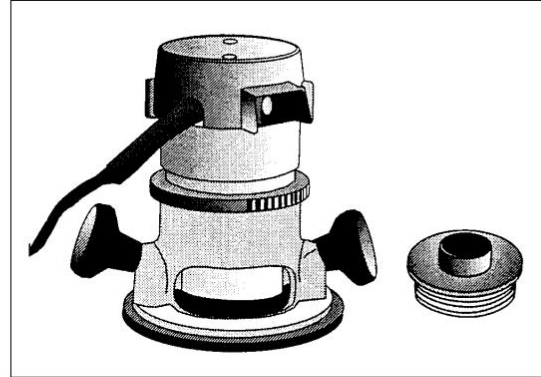
Storage

Keep Decorative Edge moldings in packaging tubes until ready to fabricate. It is best to store the moldings in this packaging to eliminate warping and possible damage to the molding.

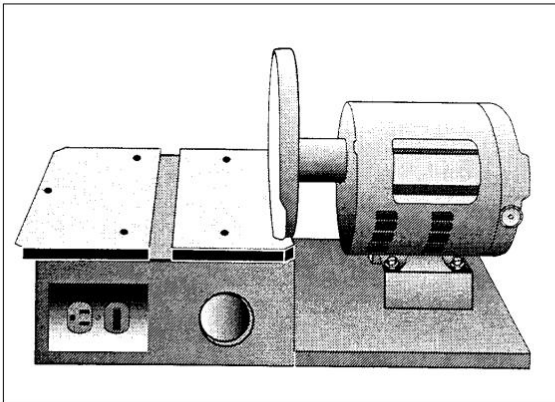
Tooling



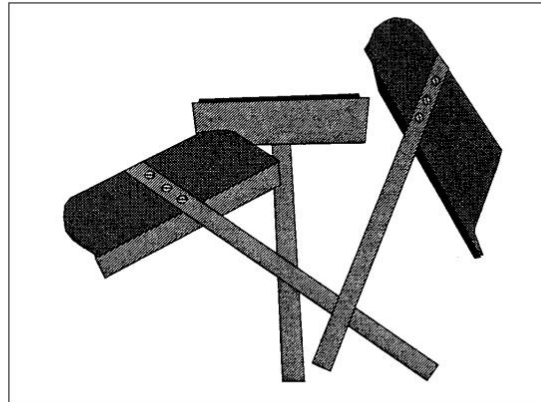
1/4" Dado Cutter



Clipped Corner Router and
Template Guide



10" Disk Sander



90°, 45°, 22-1/2° Miter Gauges

Radius Decorative Edge

Decorative Edge profiles are recommended for creating laminate countertop with a radius. The radius must not be tighter than a 48" radius. (Please see diagram and/or link for assistance in identifying radius dimensions.)

STEP 1

After cutting the countertop and flush trimming the laminate, apply build down material with glue. After the build down is applied, ensure all sides receiving Arborite Decorative Edge are cleaned and squared with either a straight cut-planer or a straight edge and router.

Using a router with a clamped straight edge as a guide will ensure that the sides are as smooth as possible before applying the Decorative Edge. Do not use a belt sander or laminate trim router to prepare sides to receive Decorative Edge.

When fabricating a radius, we suggest attaching a router to a long straight edge that will allow the appropriate arc/radius, on the pre-measured and marked top. Other options include using a CNC, point to point, or any other specialty radius tooling to create the arc/radius.

If tooling is limited, you may also use a string and pencil to make a template by transferring radius measured and developed with a center pivot point.

Minimum 48" radius for Decorative Edge

Calculating the radius:

Formula: $(\text{width} \times \text{width}) / (8 \times \text{height}) + (\text{height} / 2) = \text{radius}$

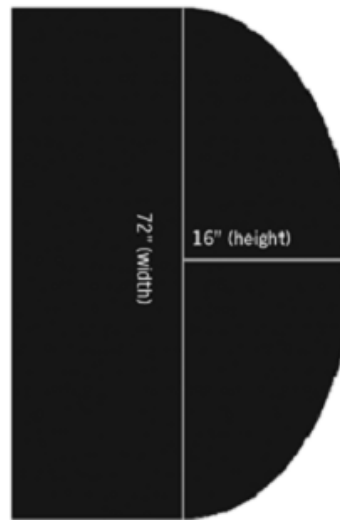
Example:

$(72 \times 72) / (8 \times 16) + (16 / 2) = \text{radius } 5184 / 128 + 8 = 48.5 \text{ radius}$

STEP 2

Fit the Molding

Start by rough cutting all the Decorative Edge pieces. Rough cut and dry fit the Decorative Edge to the desired length and smooth the cut using a disc sander. Trim a minimum 1" from both ends of the Decorative Edge molding.



Divide the angle finder dimension by two to get your miter angle. An angle finder is the easiest way to identify the angle at the corners where the radius connects to the straight lines of your countertop.

We recommend using an adjustable miter gauge on a disc sander to make any slight adjustments to provide you the best fit at mitered corners. Use scrap pieces from the rough cutting stage to accurately set up the adjustable miter gauge prior to using pre-cut edge material.

Repeat these steps for all moldings.

STEP 3

Glue the Molding

Using adhesive, apply two 1/8" beads to the top and bottom areas of the flat backside of the Decorative Edge. Do not use contact adhesive.

Smooth the adhesive with scrap laminate material and apply molding to the prepared substrate. Use fiber-reinforced tape applied every two to three inches down the length of the molding and around the corners vertically to secure miter corners.

Use a laminate faced wood block and 3" pinch clamp to maintain correct height of molding to the laminate countertop edge – see photo at right.

Move the block and clamp to each taping location during the taping process to secure a flush application. Twist one end of your tape to make removal easier.

Use 3-way clamps at both sides of the radius and miter intersection to secure the molding to the countertop. Apply tape around the corner to pull miters tight.



STEP 4 Clean Up

Wipe off any glue squeeze out with a damp cloth. Clean-up and Final Finish

Allow glue to set under pressure for 45 minutes to an hour, then remove all the tape and clamps. Remove adhesive residue by scraping with a scrap piece of laminate or molding. A scrap piece of molding can be rubbed over the seams to smooth any sharp Edge. A matching dry erase marker or SeamFil® can also be used to touch up seam areas.

Inside Corners

The Decorative Edge product line utilizes a system approach for the fabrication of custom designed tops. The system provides precision high pressure decorative moldings in various styles and designs. Along with unique fabrication equipment, specifically designed to work within the molding tolerances. All of these are important elements that make the system work. For the past five years the inside corner has been a major concern in fabricating Arborite Decorative Edge. We have now designed a simple phenolic template that takes the guess work out of inside corners.

The inside corner phenolic templates are available through AMPS Edge in 45o and 90o angles (AMPS Interlocking Straight Edge System, 978-568-1127, ampsedge@verizon.net). The phenolic templates can assure quality fabrication by following these simple fabrication steps.

STEP 1

Oversize countertop by 1/8". Position inside corner template 1/8" from edge of countertop

NOTE: Make sure you are 1/8" from the edge of the counter on both sides of template (FIG. 1)

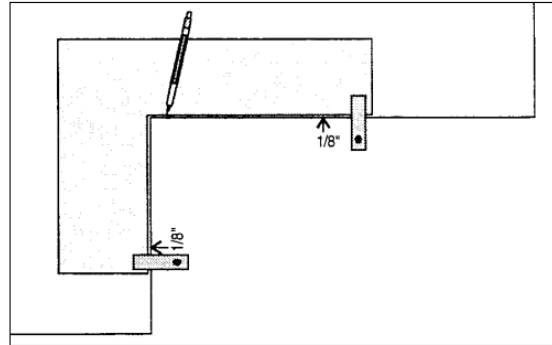


FIGURE 1

STEP 2

Clamp template into place. Using a mechanical pencil trace a line on the inside of the template (FIG. 1)

NOTE: Double check your measurements to assure accuracy.

STEP 3

Use a router with a straight double flute bit and template guide to rout inside corner. (FIG. 2)
Remove inside corner template and feel edge for smoothness.

NOTE: Porter Cable, Template Guide #4206 (5/8")

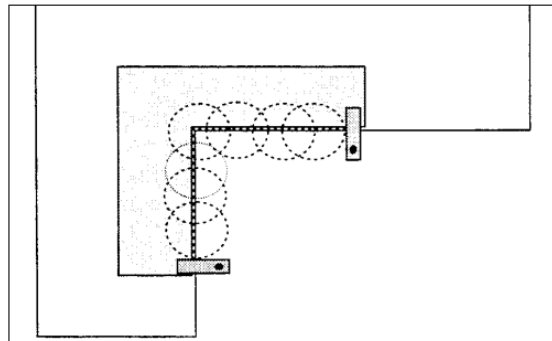


FIGURE 2

STEP 4

Take straight edge and align it with pencil mark on countertop. (FIG. 3)

NOTE: Make sure you are 1/8" away from edge at end of counter.

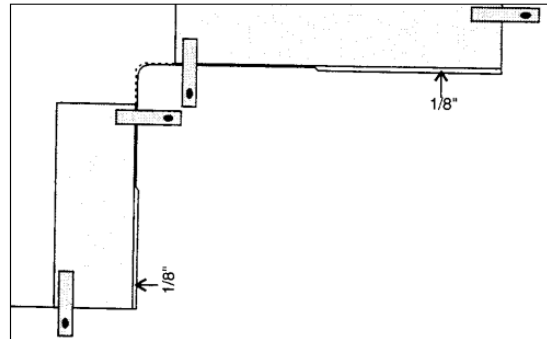


FIGURE 3

STEP 5

Clamp straight edge into place. (FIG. 3) Rout edge with Router, double flute bit and template guide. (FIG. 4)

STEP 6

Remove template and repeat steps 4 & 5.

STEP 7

Cut and fit all moldings.

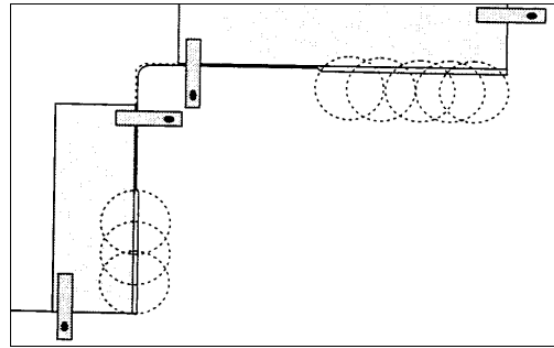
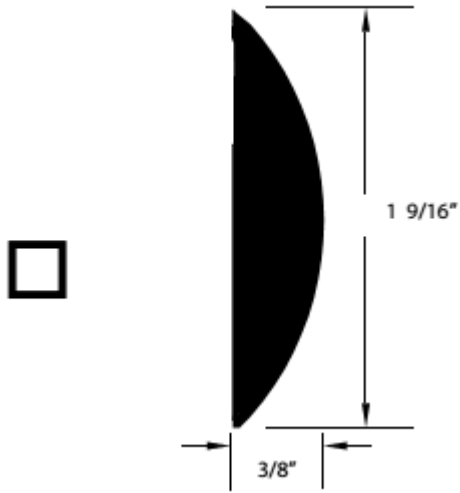


FIGURE 4

Specification Form:

Decorative Edge profile

When ordering, specify pattern and finish



Crescent Profile

Pattern/Finish:

- DECTP1000VL _____
- DECTP1001VT _____
- DECTP1002VT _____
- DECTP1003IM _____
- DECTP1004IM _____
- DECTP1005VT _____
- DECTP1006VT _____
- DECTP1007IM _____
- DECTP1008VL _____
- DECTP1009VL _____
- DECTP1010IM _____
- DECTP1011IM _____
- DECTP1012VT _____