



Privacy Plus[®] Partitions

WITH DuPont[™] Corian[®] solid surface

SPECIFICATIONS

SECTION 10172 PRIVACY PLUS[®] PARTITIONS WITH DUPONT[™] CORIAN[®] SPECIFICATIONS

SPECIFIER:

- THROUGHOUT THIS SPECIFICATION “EDIT NOTE” IS ISSUED TO IDENTIFY ITEMS WHICH SHOULD BE CONSIDERED BY SPECIFIER DURING PREPARATION OF SPECIFICATION FOR PROJECT USE.
- QUESTIONS REGARDING THE SYSTEM, CONTACT PRIVACY PLUS[®] AT 847-0543 OR WWW.PRIVACYPLUSPARTITIONS.COM

PART 1 – GENERAL

1.1 RELATED DOCUMENTS

- A. Drawings and general provisions of the Contract, including General and Supplementary Conditions and Division 1 Specification Sections apply to this Section.

1.2 SUMMARY

- A. This section includes Corian[®] panel units as follows:

SPECIFIER: SELECT PRODUCTS APPLICABLE TO PROJECT, SELECTING CATEGORIES 1, 2, 3 AS APPROPRIATED AND TYPE OF UNIT FROM CHOICES IN BRACKETS.

1. Toilet enclosures: [overhead braced] [floor anchored] [ceiling hung] [floor and ceiling hung].
2. Entrance screens: [overhead braced] [floor anchored] [ceiling hung] [floor and ceiling hung].
3. Urinal screens: [wall hung] [floor anchored]

SPECIFIER: SELECT THE APPLICABLE RELATED SECTIONS, ADD OR DELETE REFERENCES AS APPROPRIATE TO OFFICE POLICY AND PROJECT REQUIREMENTS.

- B. Related Sections include the following:
 1. Division 5 Section “Metal Fabrications: for supports that attach [ceiling hung] [floor to ceiling anchored] units to overhead structural system.
 2. Division 6 Section “[Rough Carpentry] [Miscellaneous Carpentry]” for [Blocking] [and] [overhead support of floor-and-ceiling-anchored units].
 3. Division 10 “Toilet and Bath Accessories” for toilet tissue dispensers, grab bars, purse shelves and similar accessories.

SPECIFIER: INSERT PARAGRAPHS ON ALL ALLOWANCES, UNIT PRICES AND ALTERNATES IF REQUIRED FOR PROJECT.

1.3 REFERENCES

DuPont[™] Corian[®] material was originally designed to have one finished side. Privacy Plus[®] utilizes both sides of the material, therefore the following conditions must be considered by all parties.

The “finished side” of the material will always face the outside or main areas of the room. This will ensure a uniform aesthetic. The inside of the compartments will have the “back side” exposed. Small pits caused by air bubbles, streaks in the pattern caused by aggregate pooling and color muting may be visible. These imperfections will be more prevalent in darker colors. The exclusive Privacy Plus[®] sectioned panel will also aid in hiding these imperfections. A sample of the selected color will be provided for review and a signature of acceptance will be required before production will begin.

1.4 SUBMITTALS

- A. Product Data: For each type of product indicated. Include construction details, material descriptions, dimensions of individual components and profiles and finishes.
- B. Shop Drawings: Include plans, elevations, sections, details and attachments to other work.
 - 1. Show locations of cutouts for compartment-mounted toilet accessories.
 - 2. Show locations of reinforcements for compartment-mounted grab bars.
- C. One Sample for Initial Selections: For each unit indicated.
- D. Two Samples for Verification: Of each type of color, finish and back side sheet quality required for units, prepared on 4 inch- 100mm square samples of 1/2” thickness and material indicated for work.
- E. Solid Surface Material Certification: Submit equivalency certification for tests and standards verification of material properties and characteristics for solid surface material used in product if other than Corian[®].
- F. Cleaning and Maintenance: Cleaning and maintenance information shall be provided by the manufacturer included with product shipment. Contractor is responsible to submit or forward the information to the Owner/Operator.

1.5 PROJECT CONDITIONS

- A. Field Measurements: Verify all locations of walls, columns, ceilings, windows and other construction contiguous with toilet compartments by field measurements before fabrication and indicate measurements on Shop Drawings.
 - 1. Established Dimensions: Where field measurements cannot be made without delaying the work, establish dimensions and proceed with fabricating toilet compartments without field measurements. Coordinate wall, floor, ceilings and other contiguous construction to ensure that actual dimensions correspond to established dimensions.
- B. Install materials under interior environmental conditions as close to final Building conditions as possible during construction process.
- C. Inspect condition of all adjacent construction to accommodate proper installation of compartments. Notify Architect and Owner of conditions which may interfere with proper installation.

1.6 SHIPPING AND HANDLING

- A. Manufacturer will provide photograph of condition of materials, packing and shipping preparation at the time of shipping.
- B. Inspect at time of receipt at job site for changes of condition, packing or damage.
- C. Store materials inside, protect from weather conditions greatly different from final installation conditions.

Privacy Plus[®] Partitions WITH DuPont[™] Corian[®] solid surface

SPECIFICATIONS

1.7 WARRANTY

- A. Warranty information shall be provided by the Privacy Plus[®] manufacturer included with product shipment. Contractor is responsible to submit or forward information to the Owner/Operator.

PART 2 – PRODUCTS

2.1 SOLID SURFACE UNITS

- A. Panel Material: Homogeneous filled acrylic; not coated, laminated or of composite construction; meeting ANSI Z124.3 and 6, Type Six and Fed. Spec. WW-P-541E/Gen.
1. Material shall have minimum physical and performance properties specified in the chart as stated in Section 1.6 paragraph D.
 2. Superficial damage to a depth of 0.010” (25mm) shall be repairable by sanding.
 3. Material shall be ½” (13mm) thick CORIAN[®] solid surface.
- B. Pilaster Material: Homogeneous filled acrylic; not coated, laminated or of composite construction; meeting ANSI Z124.3 and 6, Type Six and Fed. Spec. WW-P-541E/Gen.
1. Material shall have minimum physical and performance properties specified in the chart as stated in Section 1.6 paragraph D.
 2. Superficial damage to a depth of 0.010”(25 mm) shall be repairable by sanding.
 3. Material shall be 1” (25mm) thick CORIAN[®] solid surface for pilasters and vertical door edges and ½” for all other components.
- C. Urinal Screen Material: Homogeneous filled acrylic; not coated, laminated or of composite construction; meeting ANSI Z124.3 & 6, Type Six and Fed. Spec. WW-P-541E/Gen.
1. Material shall have minimum physical and performance properties specified in the chart as stated in Section 1.6 paragraph D.
 2. Superficial damage to a depth of 0.010”(25 mm) shall be repairable by sanding.
 3. Material shall be ½” (13mm) thick CORIAN[®] solid surface.
- D. Performance Requirements - DuPont[™] Corian[®] solid surface standard

	PROPERTY	REQUIREMENT min / max)	TEST PROCEDURE
Tensile Strength	5000 psi min		ASTM D 638
Flexural Strength	7000 psi min		ASTM D 790
Hardness	90 Rockwell “M” Scale min. 52 Barcol Impressor min.		ASTM D 785
Color Stability	No Change-200 hrs. min.		NEMA LD3-3.10
Wear and Cleanability	PassesANSI Z 124.3		
Abrasion Resistance	no loss of pattern Wt. Loss (1,000 cycles)=0.9 gm max Wear (10,000 cycles)=.008” max.		NEMA LD3.310
Impact Resistance			
Notched Izod	.24 ft. lbs./in. of notch min.		ASTM D 256 (Method A)
Gardner	9.0 ft. lbs. Min.		ASTM D 3029
Drop Ball			
½” (13mm) sheet	>144” w ½ lb ball, no failure		NEMA LD3-3.03
Stain Resistance	PassesANSI Z_124.3		
Fungi and Bacteria	No Attack		ATM G 21, G22
Flammability	¼” (6mm) ½” (13mm)		
Flame Spread	25 Max 25 Max		ASTM E84
Smoke Development	30 Max 30 Max		
Class Rating	1 1		
Pittsburgh Protocol Toxicity (as used by NY State)	solid colors 80 grams min.		“LG 50” Test

SPECIFIER: SELECT NUMBER OF COLORS AND PATTERNS TO BE PROVIDED ON PROJECT. IF MULTIPLE COLORS, INDICATE COLOR LOCATIONS HERE OR REFERENCE TO DRAWINGS.

E. Color and Pattern

1. [Color and letter series] [Two colors and letter series] in each room as selected by Architect from manufacturer's full range of colors and patterns.

F. Brackets (Fittings)

1. Continuous U-brackets [clear anodized aluminum] [stainless steel]
All brackets and fittings are fully concealed by Corian[®] trim.

SPECIFIER: DELETE PORTFOLIO SHELF IF NO URINAL SCREENS.

G. Portfolio Shelf

1. Continuous shelf that runs perpendicular to the urinal screens and integrates to the top of each screen for temporary placement of personal items.

2.2 ACCESSORIES

- A. Hardware and Accessories: Manufacturer's standard design, heavy duty operating hardware and accessories, [stainless steel] [chrome plated brass].
- B. Overhead Bracing (Optional): Manufacturer's standard continuous steel clad with matching solid surface material with anti-grip profile.
- C. Anchorages and fasteners: Manufacturer's standard concealed fasteners of high strength steel. Provide pins for through-bolt applications. Recommended wall and floor anchorage to be supplied by installer.

2.3 FABRICATION

SPECIFIER: DELETE COMPARTMENT TYPES NOT REQUIRED FOR PROJECT.

- A. Overhead-Braced Units: Provide recommended manufacturer's standard corrosion-resistant supports, leveling mechanism, fasteners and anchors at pilasters to suit floor conditions. Make provisions for setting and securing continuous head rail of each pilaster. Provide shoes at pilasters to conceal leveling mechanism and anchorage.
- B. Floor-Anchored Units: Provide recommended manufacturer's standard corrosion-resistant anchorage assemblies complete with threaded rod, lock washers and leveling adjustment nuts at pilasters for structural connection to floor. Provide shoes at pilasters to conceal leveling mechanism and anchorage.
- C. Ceiling-Hung Units: Provide recommended manufacturer's standard corrosion-resistant anchorage complete with integrated corrosion-resistant plate bracket, lock washers and adjustment nuts at pilaster for connection to structural support above finished ceiling. Provide sleeves (caps) at pilasters to conceal anchorage.
- D. Floor-and-Ceiling Anchored Units: Provide recommended manufacturer's standard corrosion-resistant anchoring assemblies complete with leveling adjustment at tops and bottoms of pilasters. Provide shoes and sleeves (caps) at pilaster to conceal anchorage.

- E Doors: Unless otherwise indicated, provide 24 inch (610 mm) wide in-swing doors for standard toilet compartments and 36 inch (914 mm) wide out-swing doors with a minimum 32 inch (813 mm) wide clear opening for compartments indicated to be accessible to people with disabilities.
1. Hinges: Manufacturer's standard stainless steel, continuous, reversible, fully concealed with the exception of hinge knuckle, self closing to hold doors open approx. 30 degrees with emergency quick access feature.
 2. Latch and Keeper: Manufacturer's standard surface mounted stainless steel latch unit designed for emergency access with a combination rubber faced door strike. Provide units that comply with requirements of authorities having jurisdiction at compartments indicated to be accessible to people with disabilities.
 3. Door Pull: Manufacturer's recommended standard unit at out-swing doors that complies with accessibility requirements of authorities having jurisdiction. Provide units on both sides of doors at compartments indicated to be accessible to people with disabilities.

PART 3 – EXECUTION

3.1 EXAMINATION AND PREPARATION

- A. Examination: Inspect conditions at installation site for acceptable conditions to assure successful final installation. Notify Architect and Owner of any unacceptable conditions. Do not proceed with any installation until unsatisfactory conditions are corrected.
- B. Preparation: Perform all preparation required for satisfactory installation.

3.2 INSTALLATION

- A. General: Comply with manufacturer's installation instructions. Coordinate installation with installation of surrounding wall, floor and ceiling materials for a proper finished installation. Install units rigid, straight, level and plumb. Secure units in position with manufacturer's recommended anchoring devices.
1. Maximum Clearances:
 - a. Door and Pilasters: 1/4"
 - b. Panels at Walls and Pilasters: Flush
 2. Panel Brackets: Align brackets at pilasters with brackets and walls.

SPECIFIER: DELETE COMPARTMENT TYPES NOT APPLICABLE TO PROJECT.

- B. Overhead-Braced Units: Secure pilasters to floor and level, plumb and tighten. Secure continuous head rail to each pilaster with not less than two fasteners. Hang doors to align parallel with pilasters when doors are in closed position.
- C. Floor-Anchored Units: Set pilasters with anchors penetrating not less than 2 inches (50 mm) into structural floor, unless otherwise specified. Level, plumb and tighten pilasters. Hang doors to align parallel with pilasters when doors are in closed position.
- D. Ceiling-Hung Units: Secure pilasters to supporting structure above finished ceiling. Level, plumb and tighten pilaster. Hang doors to align parallel with pilasters when doors are in closed position.
- E. Floor-and-Ceiling-Anchored Units: Secure pilasters to supporting construction and level, plumb and tighten pilaster. Hang doors to align parallel with pilasters when doors are in closed position.
- F. Wall-Hung Urinal Screens: Secure continuous bracket to wall using manufacturer's recommended anchorage and secure screen to bracket. Level, plumb and tighten screen.

Privacy Plus[®] Partitions WITH DuPont[™] Corian[®] solid surface

SPECIFICATIONS

- G. Floor-Anchored Urinal Screen: Set pilasters with anchors penetrating not less than 2 inches (50 mm) into structural floor, unless otherwise specified and secure screen to bracket. Level, plumb and tighten pilasters.

SPECIFIER: DELETE PORTFOLIO SHELF IF NOT APPLICABLE.

- H. Portfolio Shelf: Connect shelf at notches at top of urinal screen. Level shelf and secure to back perimeter wall with manufacturer's recommended wall anchorage.

3.3. ADJUSTING

- A. Hardware Adjustment: Adjust and lubricate hardware according to Manufacturer's recommendation for proper operation.

SPECIFIER: COORDINATE CLEANUP WITH OTHER SPECIFICATIONS FOR JOB SITE. INSERT 3.5 FOR PROTECTION OF FINISHED INSTALLATION BY CONTRACTOR.

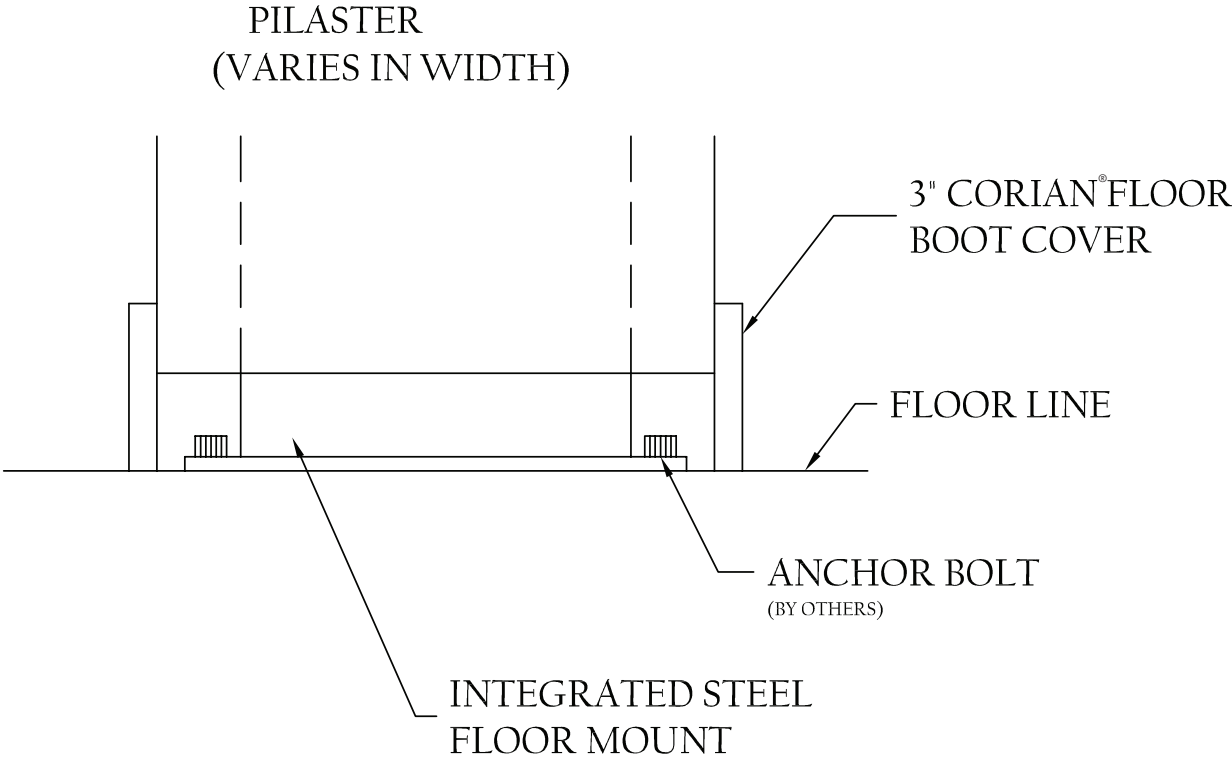
3.3 CLEAN UP

- A. Installer is responsible for final cleanup and wipe down of all panels, screens, pilasters and doors in accordance with the care and maintenance instructions provided by Privacy Plus[®].

Privacy Plus[®]
with
DuPont[™] Corian[®]



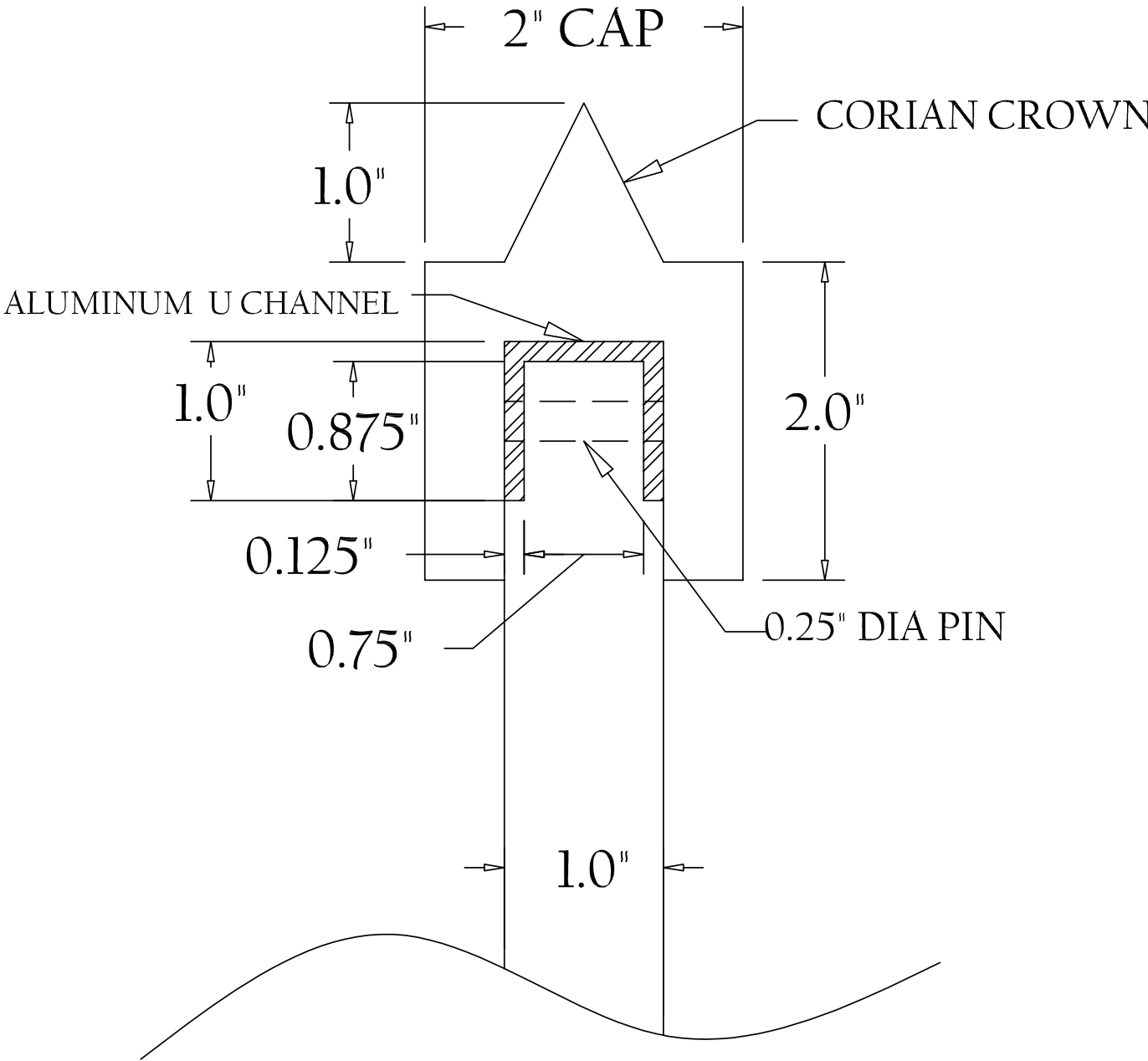
DRAWINGS
(on the following pages)



PRIVACY PLUS®

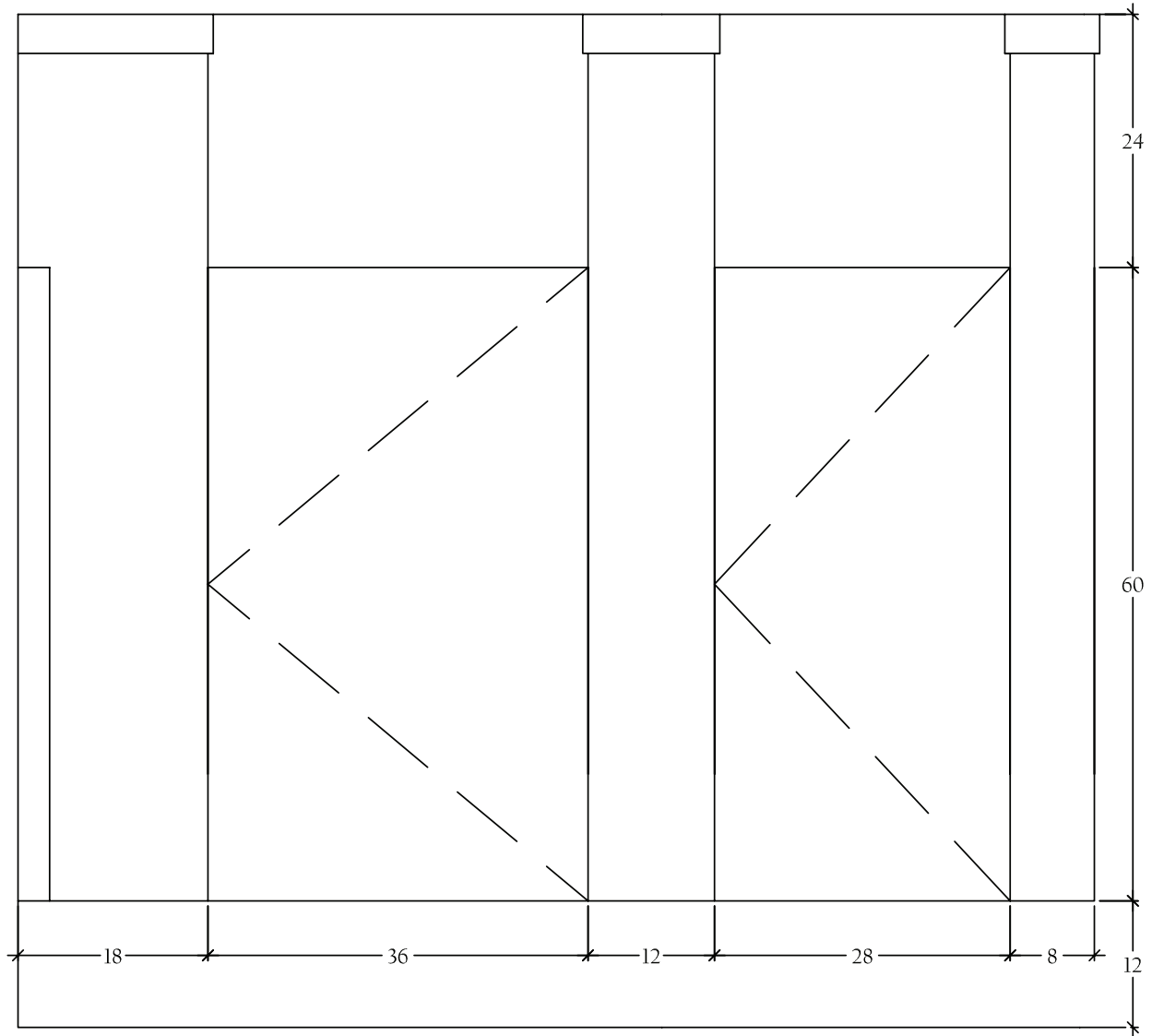
www.privacypluspartitions.com

FLOOR MOUNT - FRONT ELEVATION



Privacy Plus[®] Partitions WITH DuPont[™] Corian[®] solid surface

SPECIFICATIONS



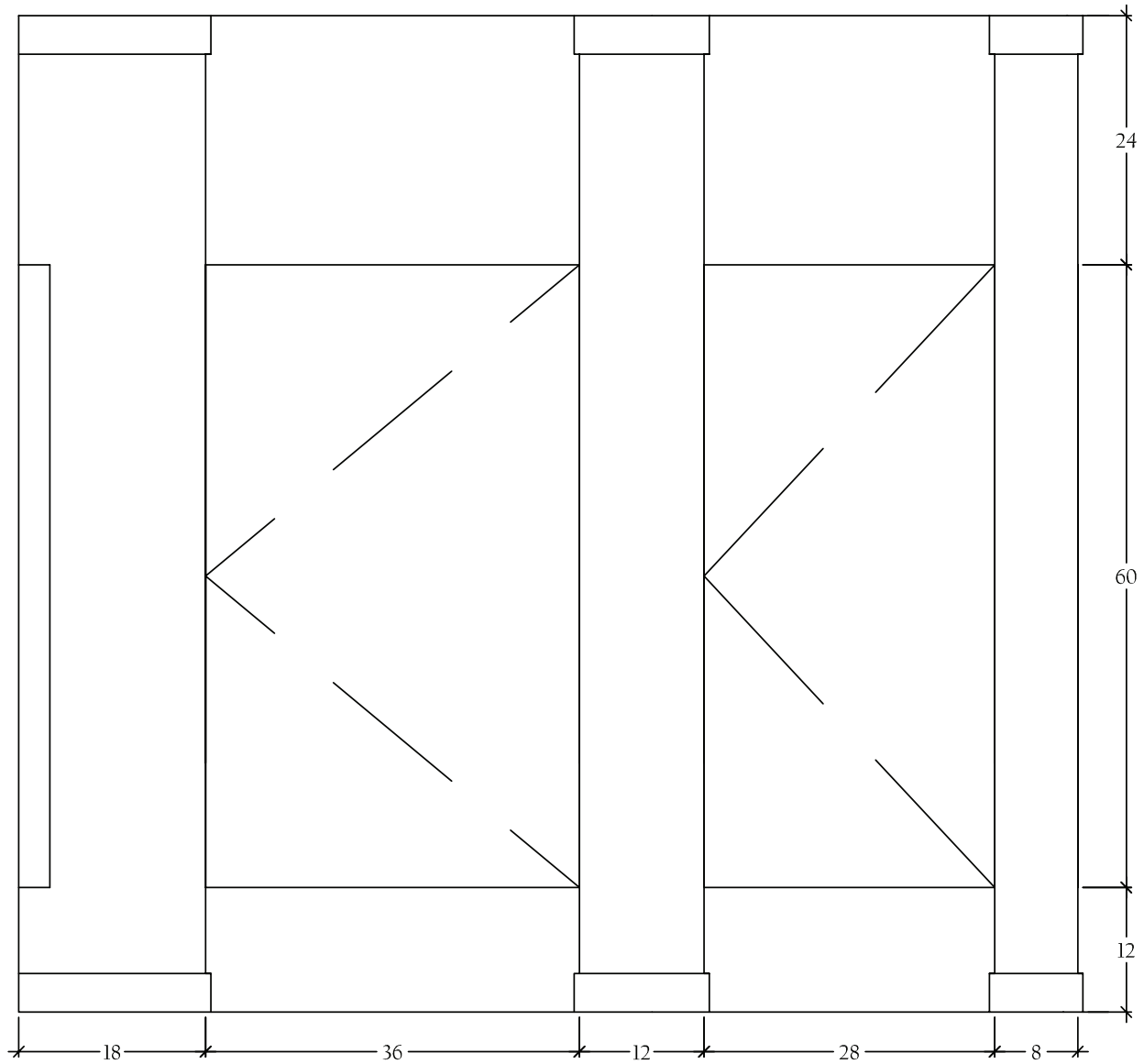
HANG WEIGHT PER STALL OPENING BETWEEN 300LBS AND 350LBS

PRIVACY PLUS[®]
www.privacypluspartitions.com

2 STALL FRONT ELEVATION - CEILING MOUNT

Privacy Plus[®] Partitions WITH DuPont[™] Corian[®] solid surface

SPECIFICATIONS

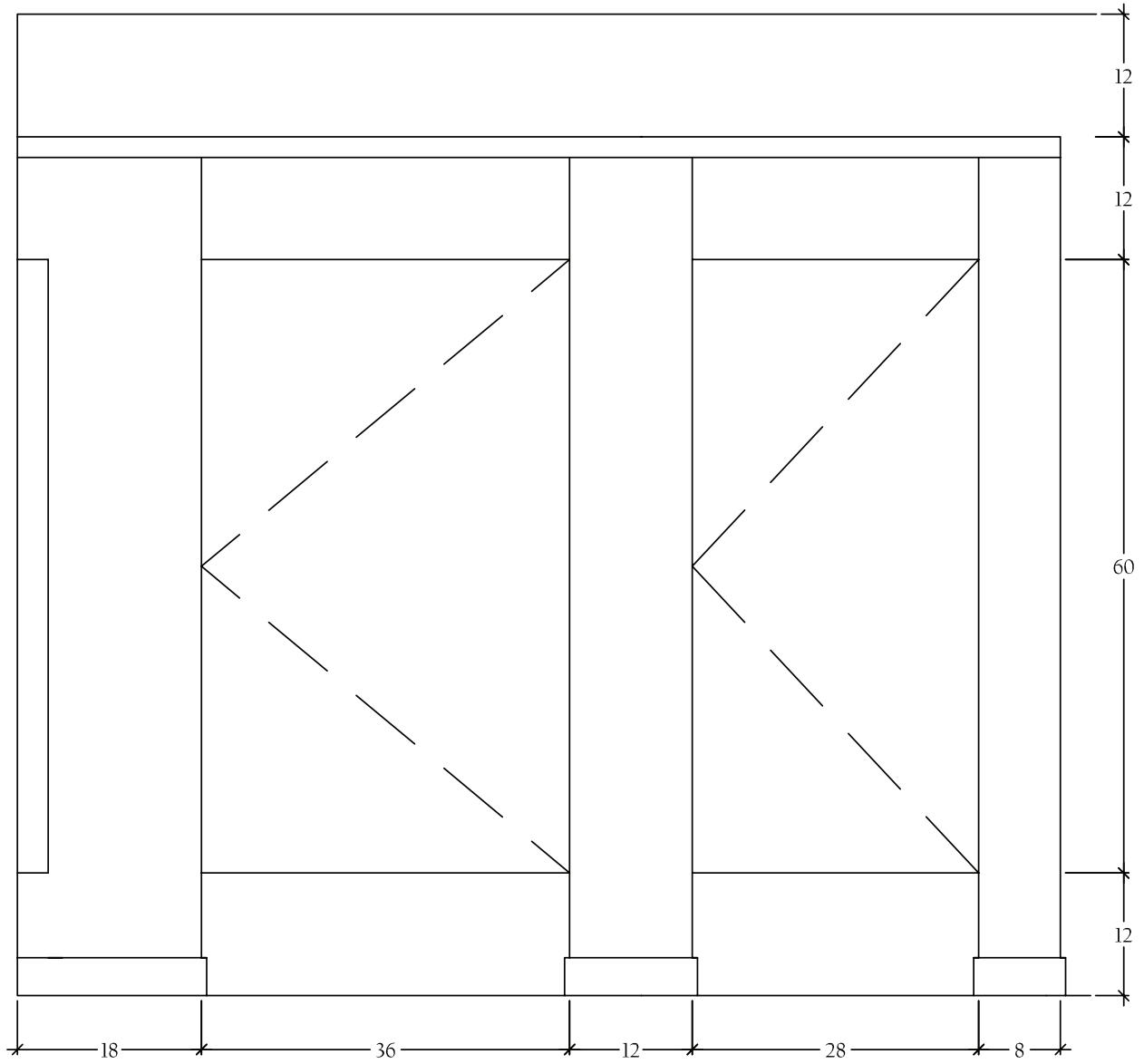


PRIVACY PLUS[®]
www.privacypluspartitions.com

2 STALL FRONT ELEVATION - CEILING & FLOOR MOUNT

Privacy Plus[®] Partitions WITH DuPont[™] Corian[®] solid surface

SPECIFICATIONS

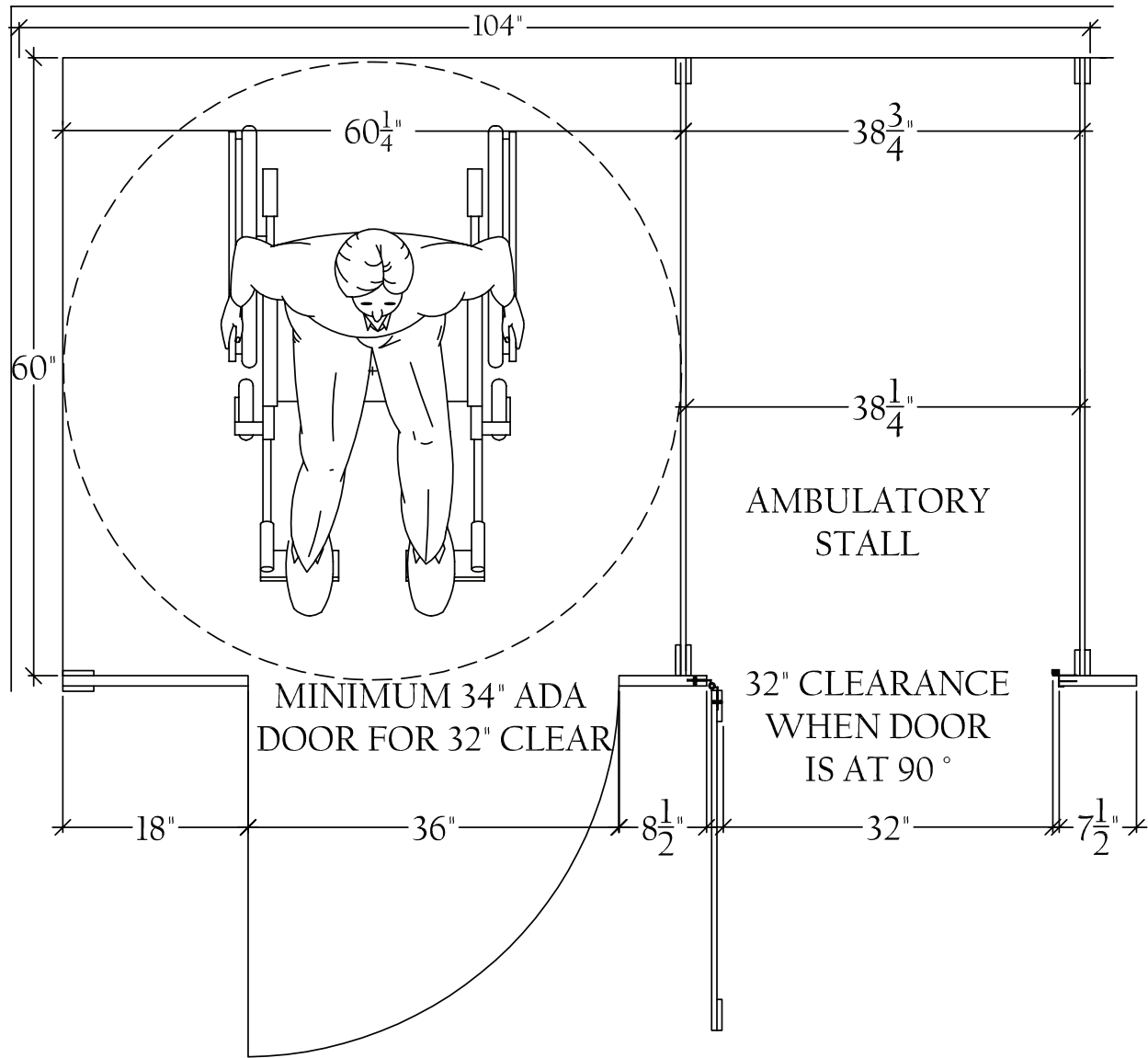


PRIVACY PLUS[®]
www.privacypluspartitions.com

2 STALL FRONT ELEVATION - FLOOR MOUNT W/ HEADER

Privacy Plus® Partitions WITH DuPont™ Corian® solid surface

SPECIFICATIONS

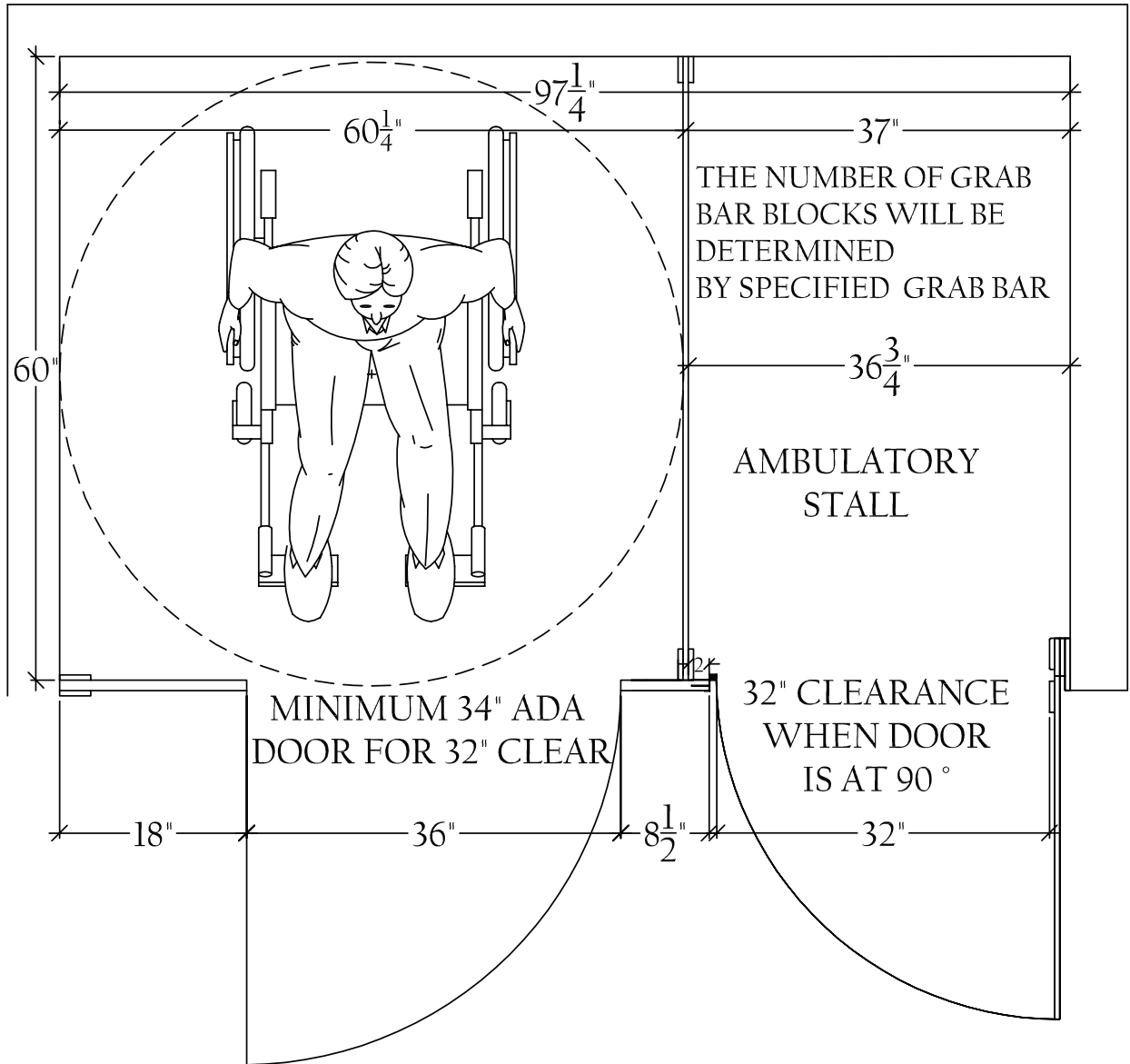


PRIVACY PLUS®
www.privacypluspartitions.com

2 STALL PLAN WITH AMBULATORY STALL IN MIDDLE OF RUN

Privacy Plus® Partitions WITH DuPont™ Corian® solid surface

SPECIFICATIONS

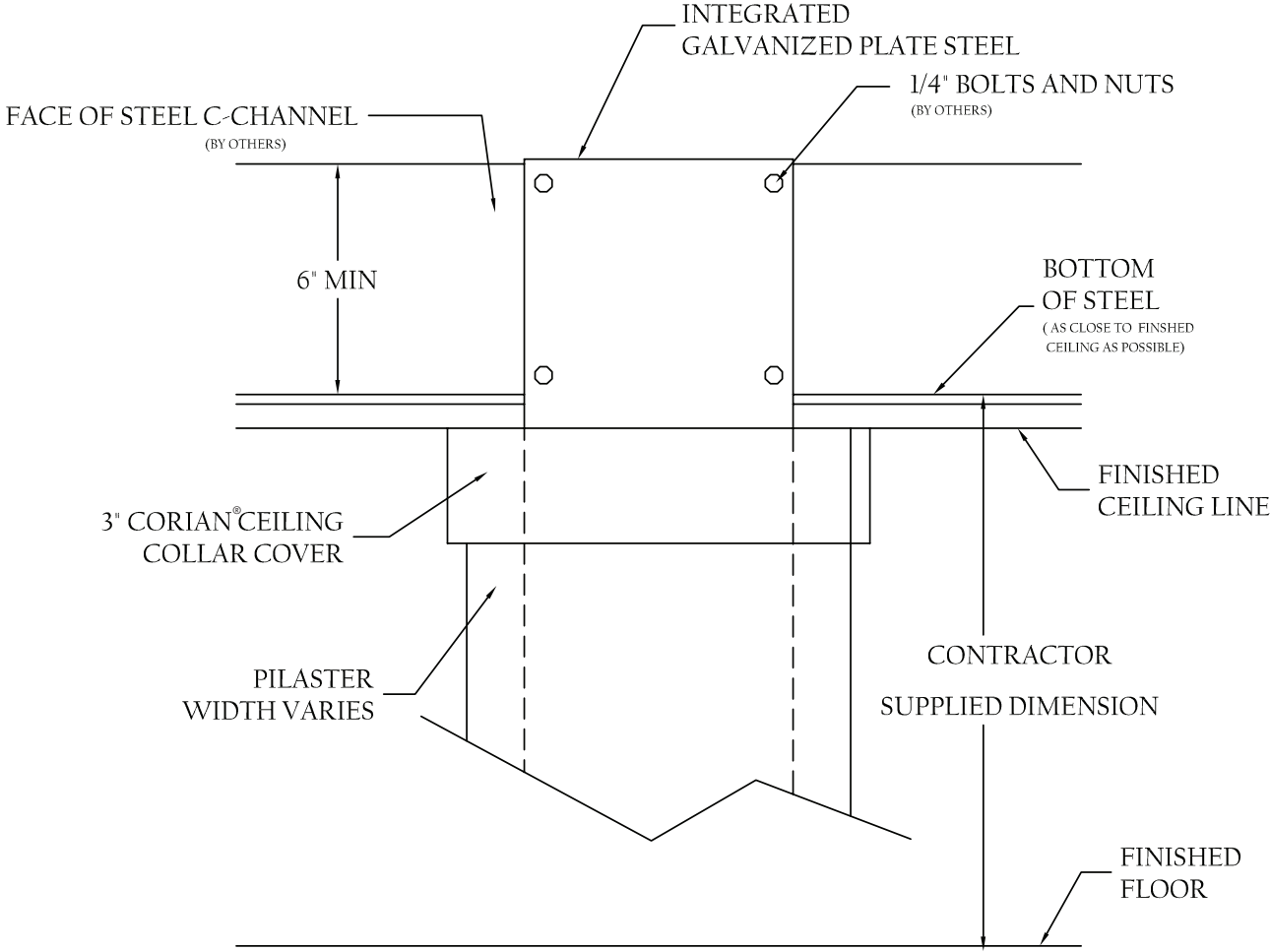


PRIVACY PLUS®
www.privacypluspartitions.com

2 STALL PLAN WITH AMBULATORY STALL AT BUILDING WALL

Privacy Plus[®] Partitions WITH DuPont[™] Corian[®] solid surface

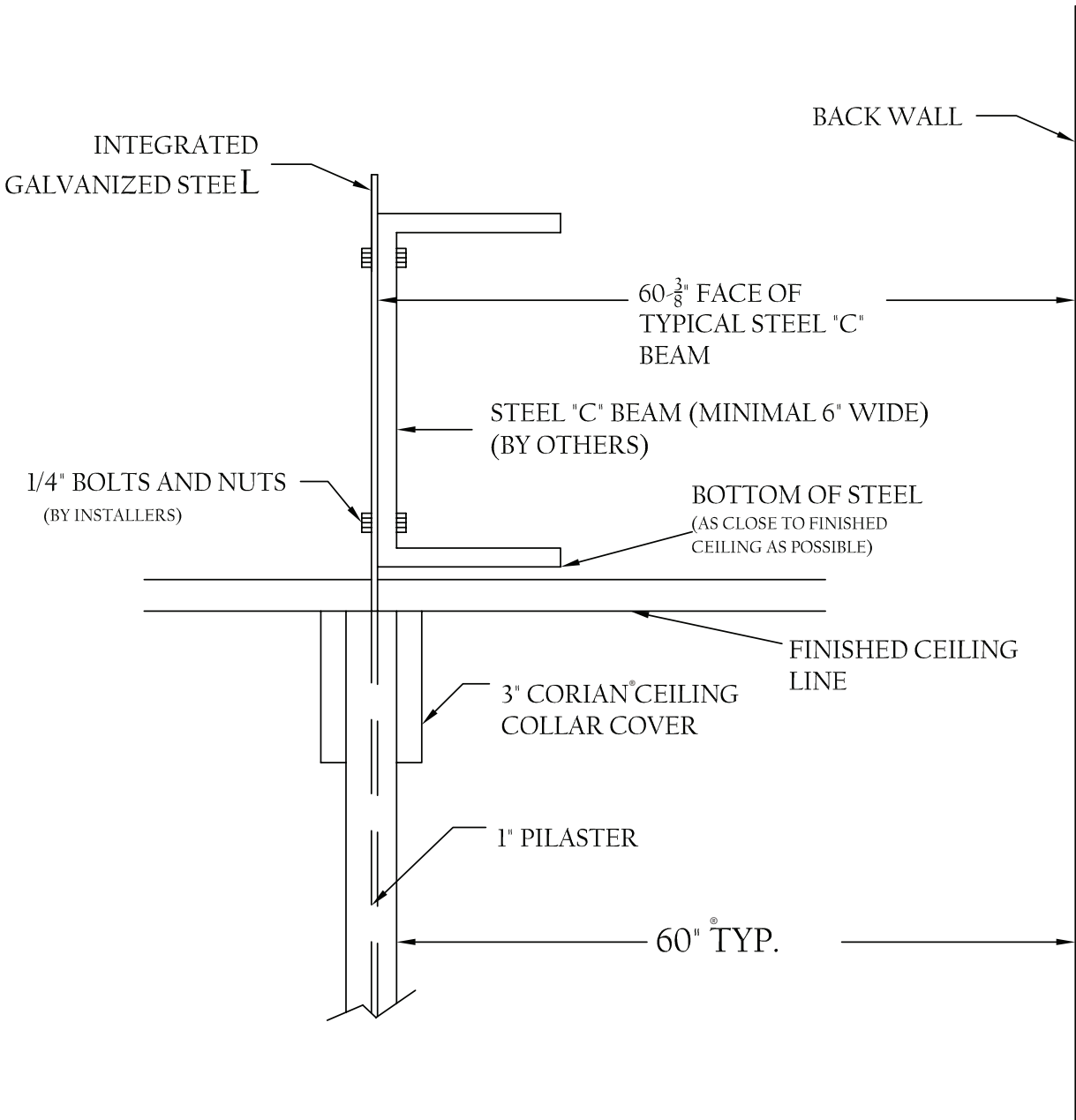
SPECIFICATIONS

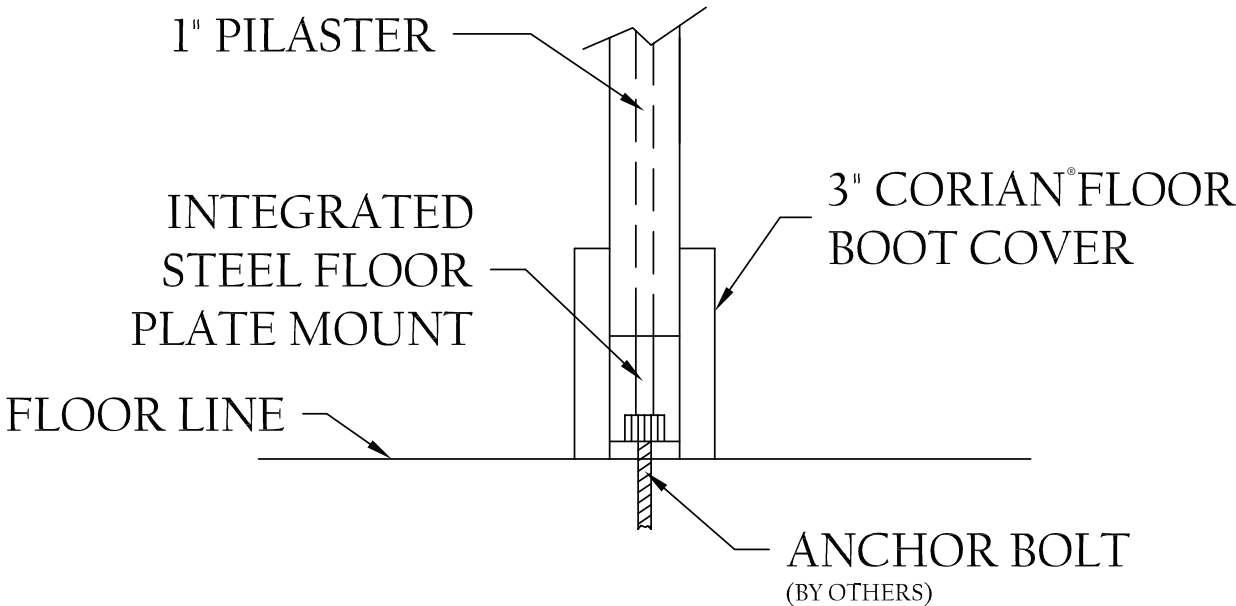


"C" CHANNEL SIZED TO STIFFLY SUPPORT OF 300 to 350 LBS. PER STALL OPENING
CROSS STIFFENERS MAY BE REQUIRED

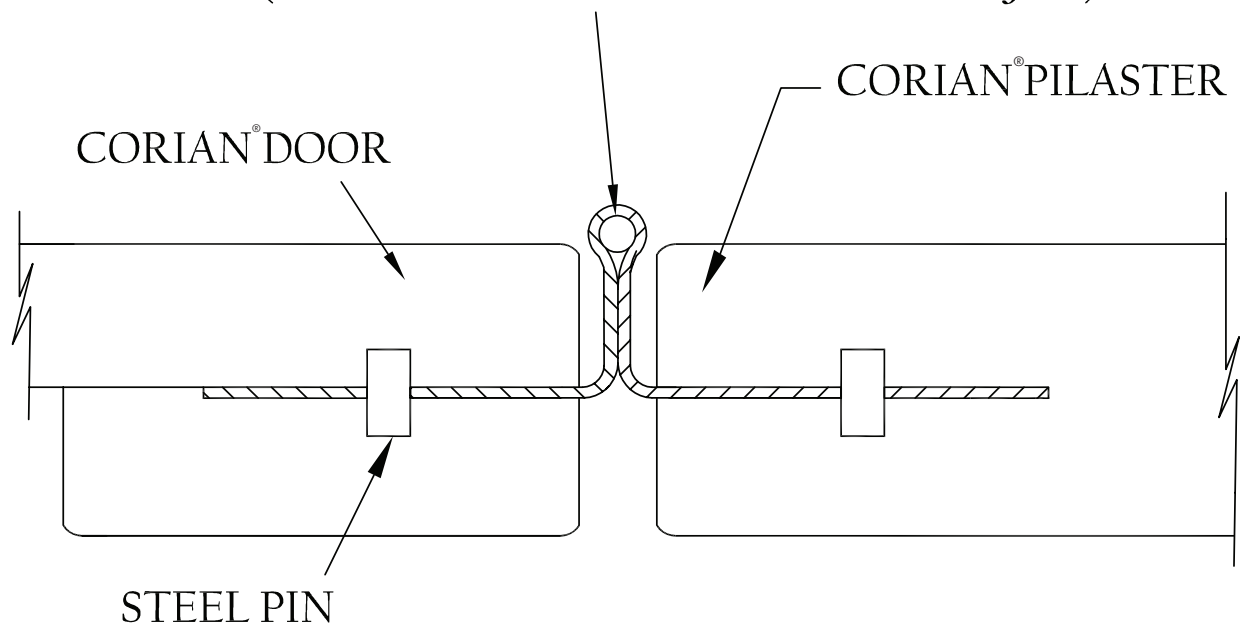
PRIVACY PLUS[®]
www.privacypluspartitions.com

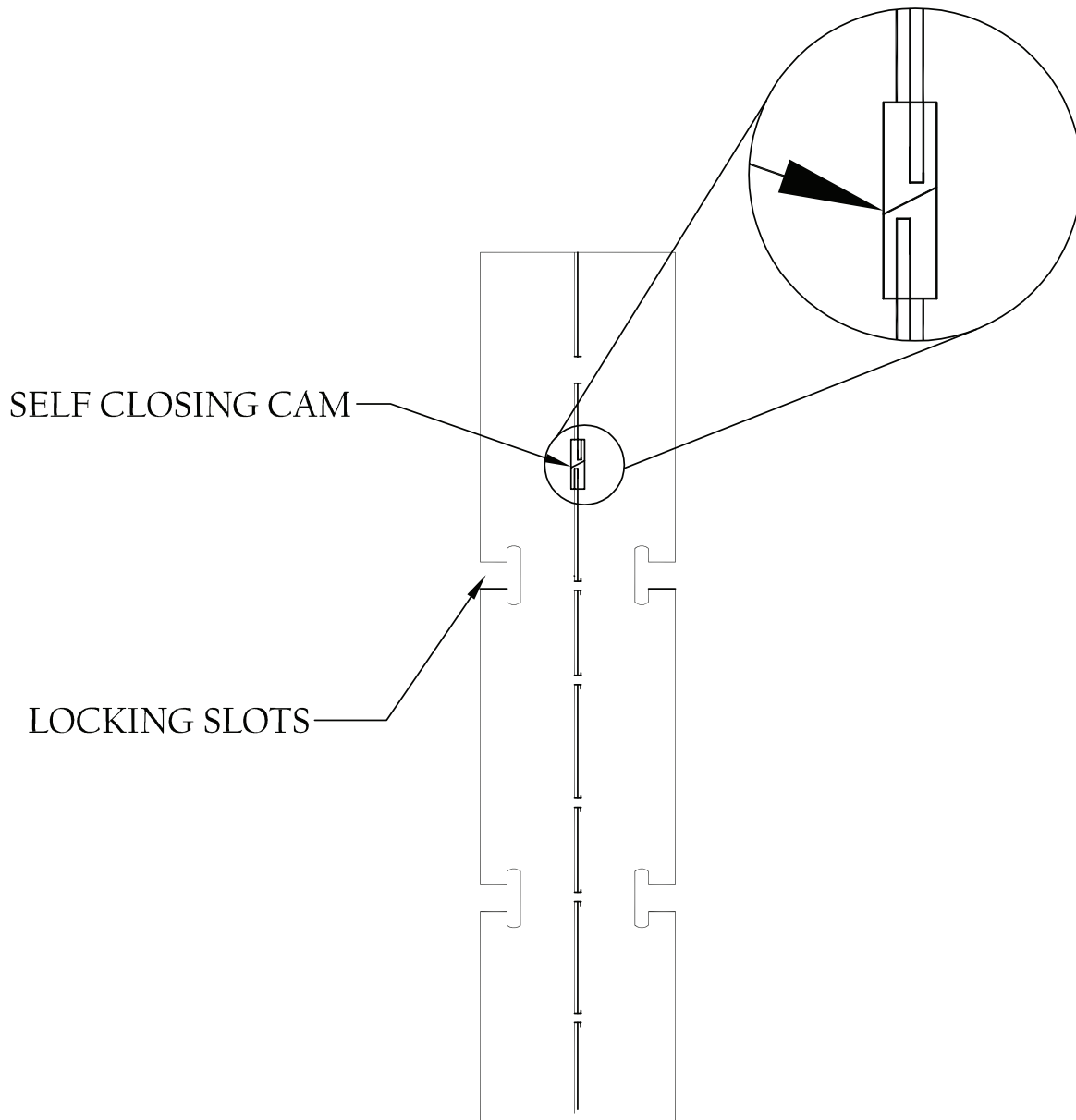
CEILING MOUNT - FRONT ELEVATION

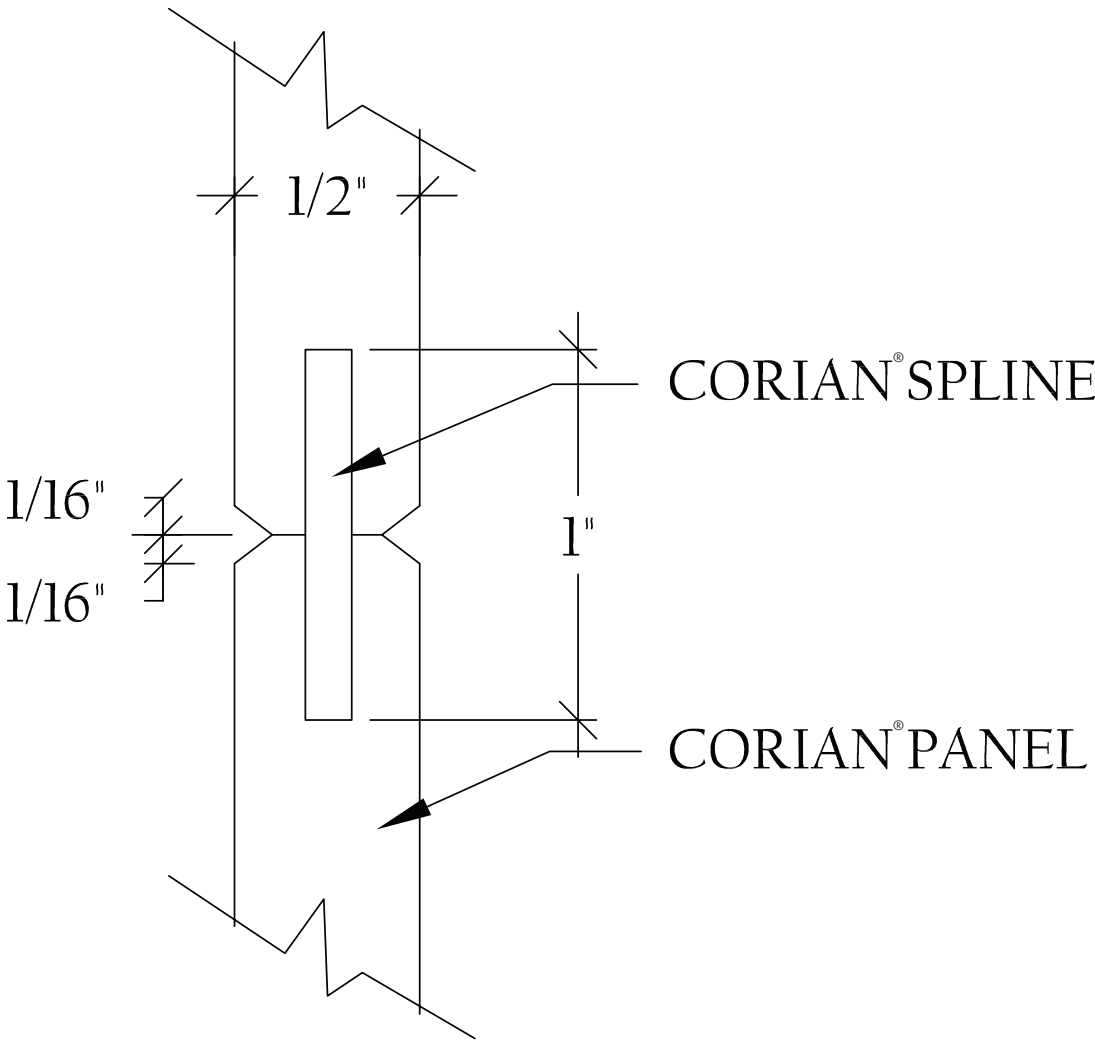




SELF-CLOSING STAINLESS STEEL HINGE
STAINLESS STEEL HINGE
(IN-SWING HINGE REST AT 10°-15° AJAR)

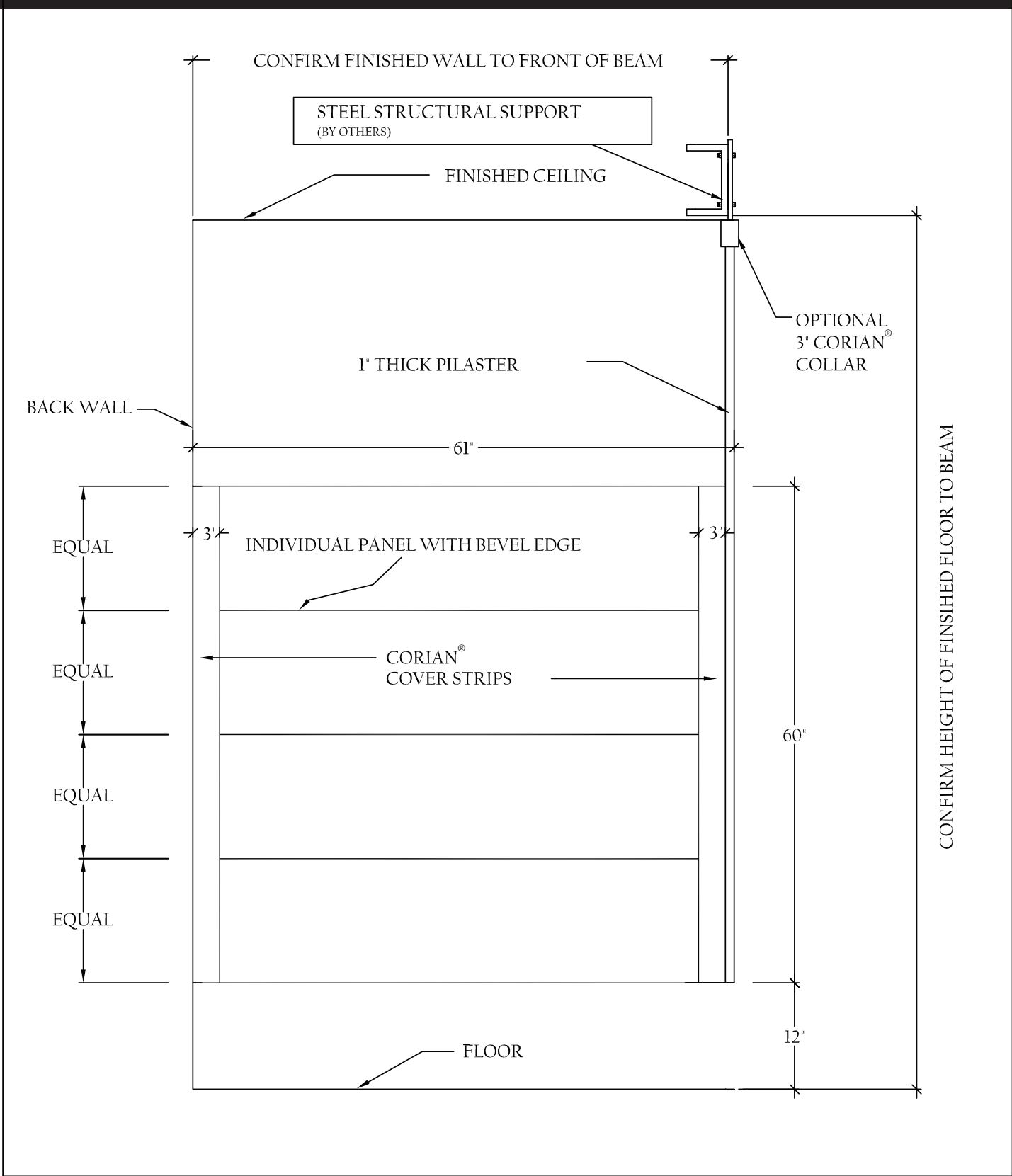






Privacy Plus® Partitions WITH DuPont™ Corian® solid surface

SPECIFICATIONS

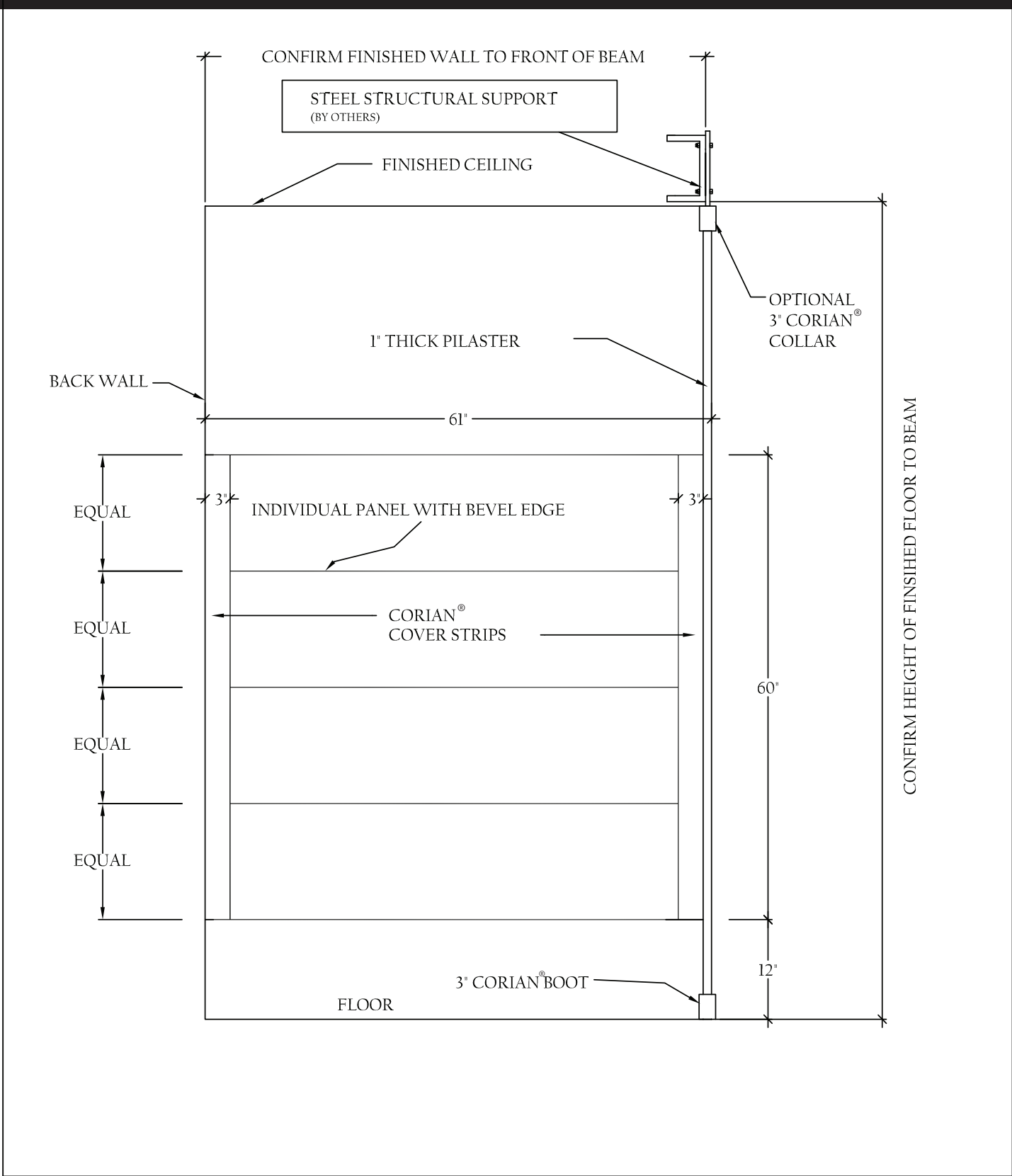


PRIVACY PLUS®
www.privacypluspartitions.com

SIDE PANEL ELEVATION - CEILING MOUNT

Privacy Plus[®] Partitions WITH DuPont[™] Corian[®] solid surface

SPECIFICATIONS



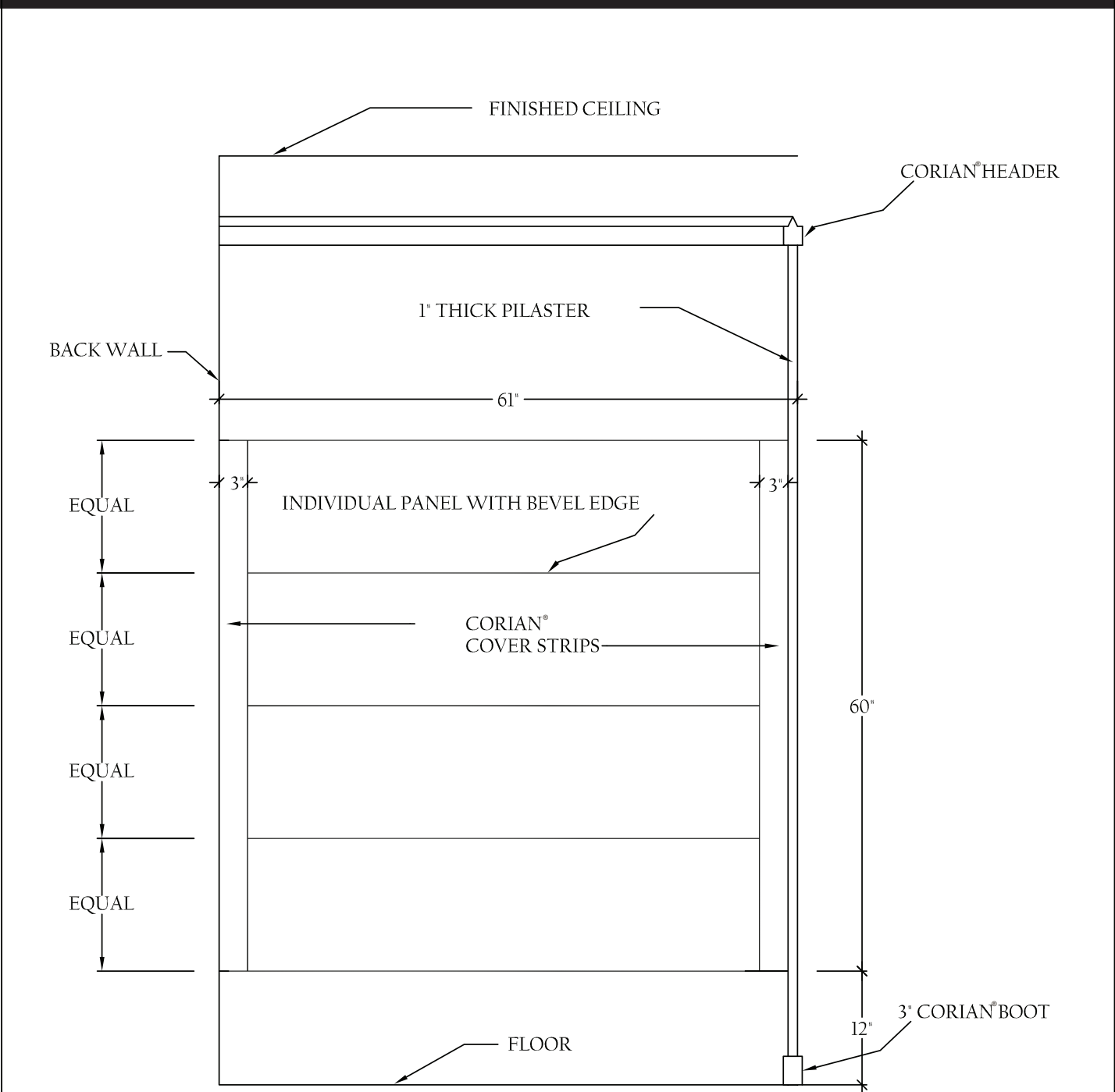
PRIVACY PLUS[®]

www.privacypluspartitions.com

SIDE PANEL ELEVATION - CEILING & FLOOR MOUNT

Privacy Plus[®] Partitions WITH DuPont[™] Corian[®] solid surface

SPECIFICATIONS



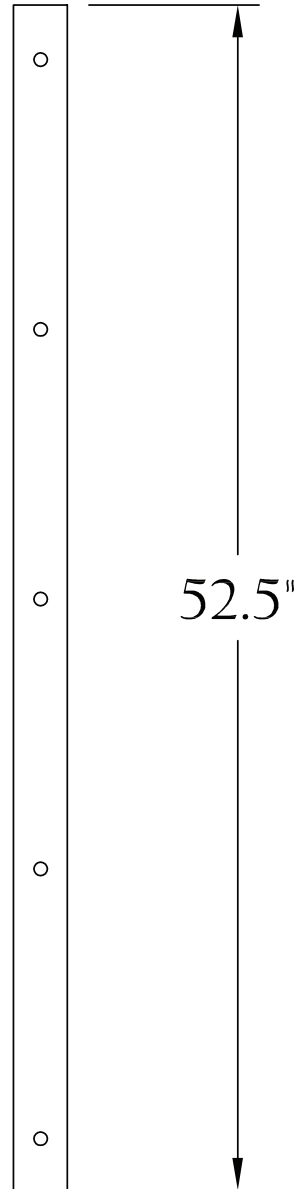
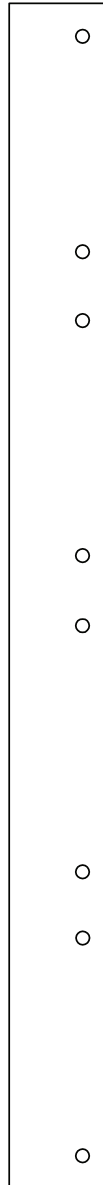
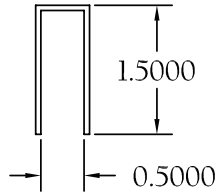
PRIVACY PLUS[®]

www.privacypluspartitions.com

SIDE PANEL ELEVATION - FLOOR MOUNT

Privacy Plus[®] Partitions WITH DuPont[™] Corian[®] solid surface

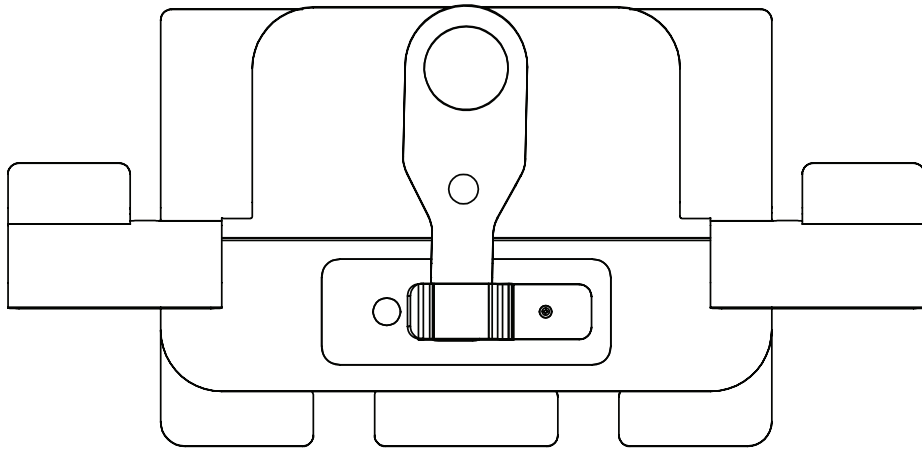
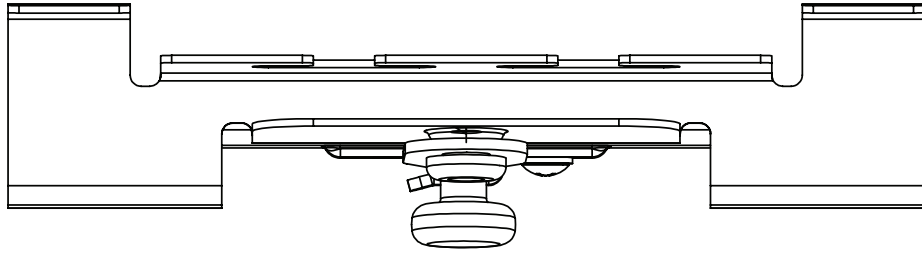
SPECIFICATIONS



PRIVACY PLUS[®]
www.privacypluspartitions.com

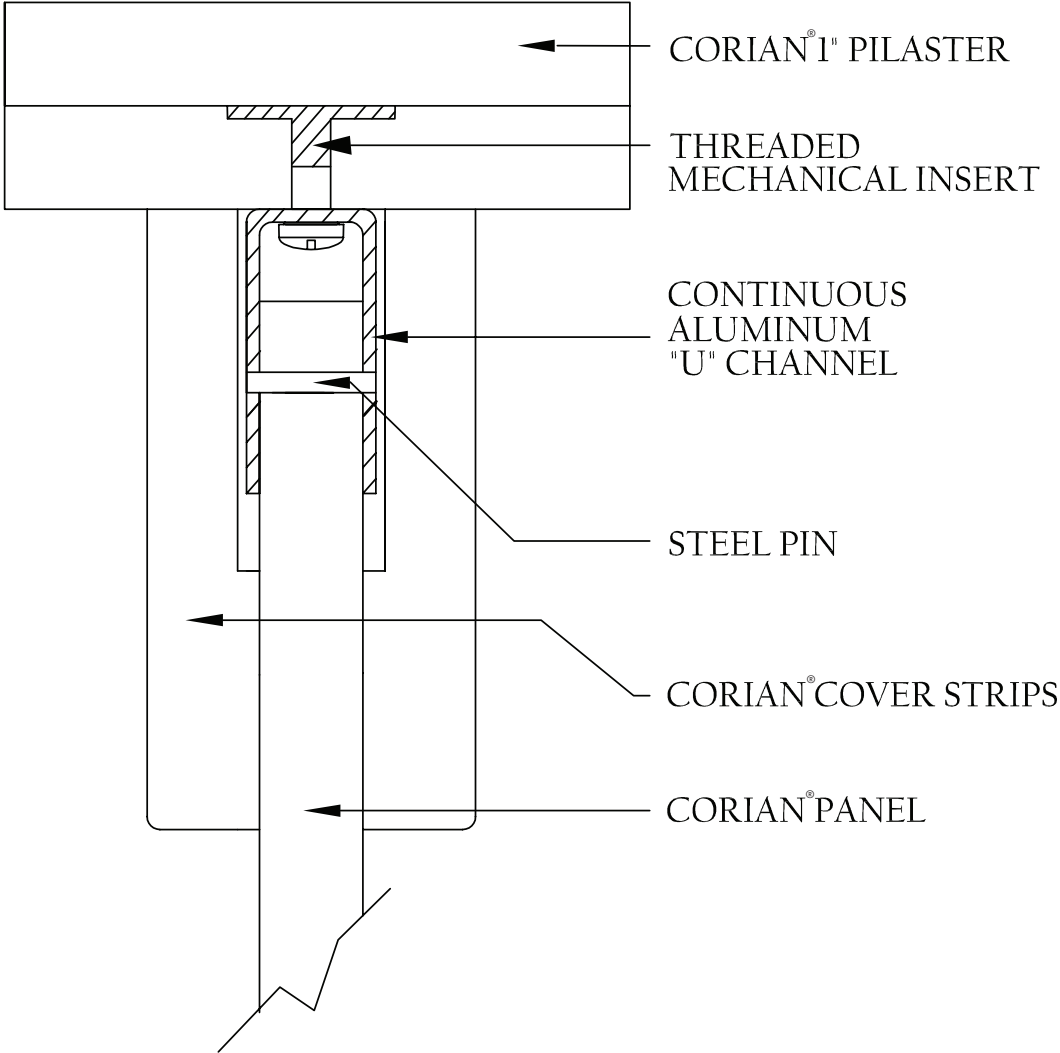
ALUMINUM "U" CHANNEL SIDE PANEL BRACKET

Privacy Plus[®] Partitions WITH DuPont[™] Corian[®] solid surface
SPECIFICATIONS



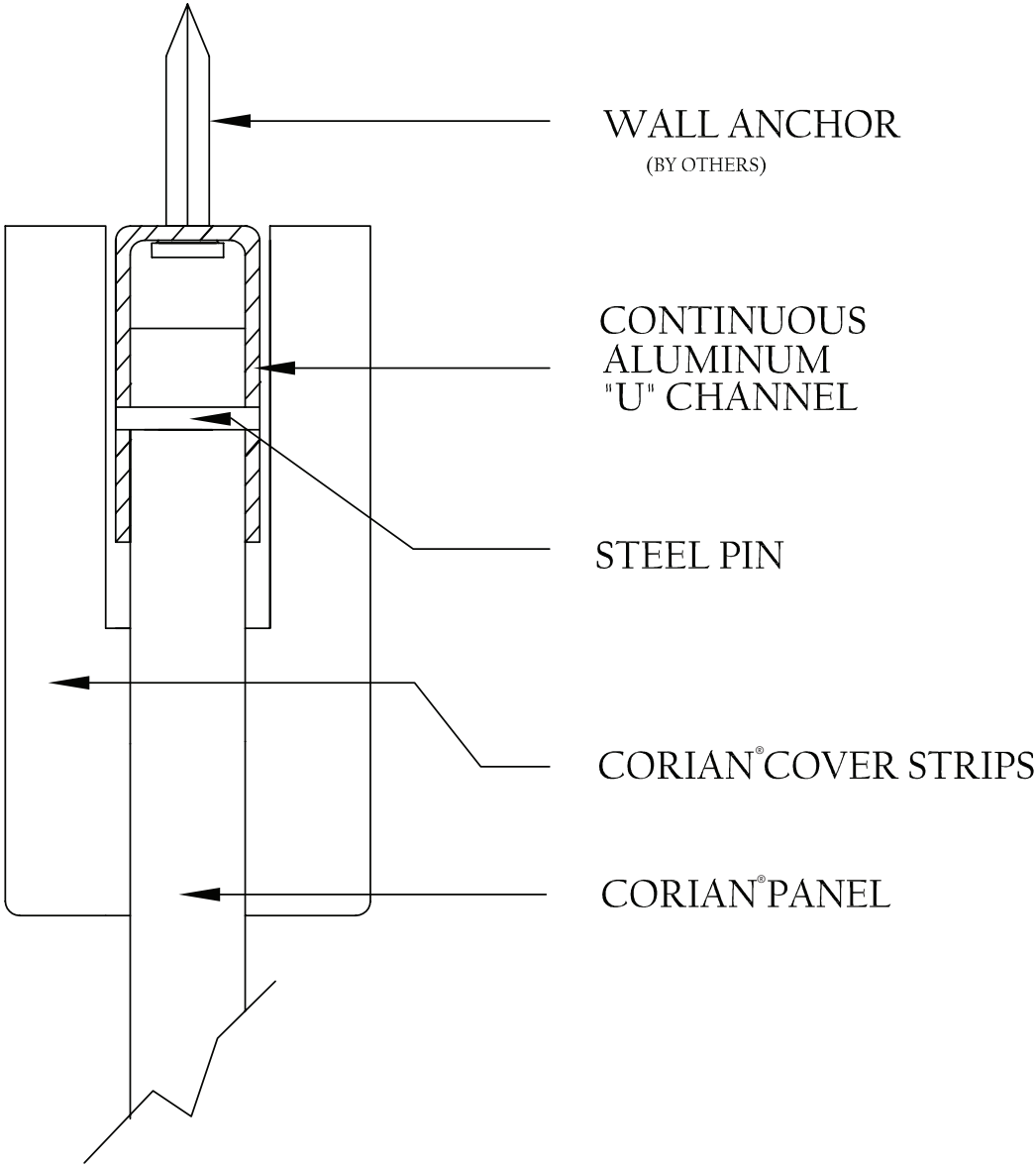
PRIVACY PLUS[®]
www.privacypluspartitions.com

STRIKE AND KEEPER



PRIVACY PLUS®
www.privacypluspartitions.com

PLAN DETAIL ALUMINUM "U" CHANNEL & COVER STRIP FOR PARTITION ANCHOR TO PILASTER

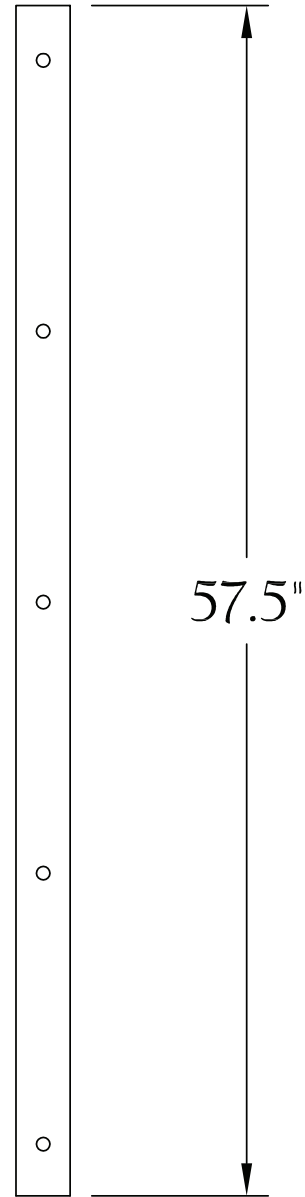
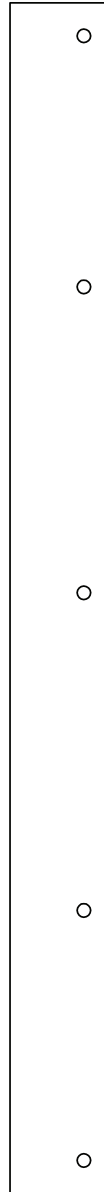
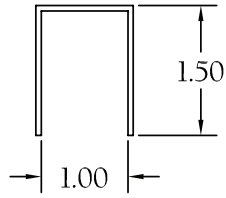


PRIVACY PLUS®
www.privacypluspartitions.com

PLAN DETAIL FOR ALUMINUM "U" CHANNEL & COVER STRIP FOR PRIVACY PLUS & URINAL SCREENS

Privacy Plus[®] Partitions WITH DuPont[™] Corian[®] solid surface

SPECIFICATIONS

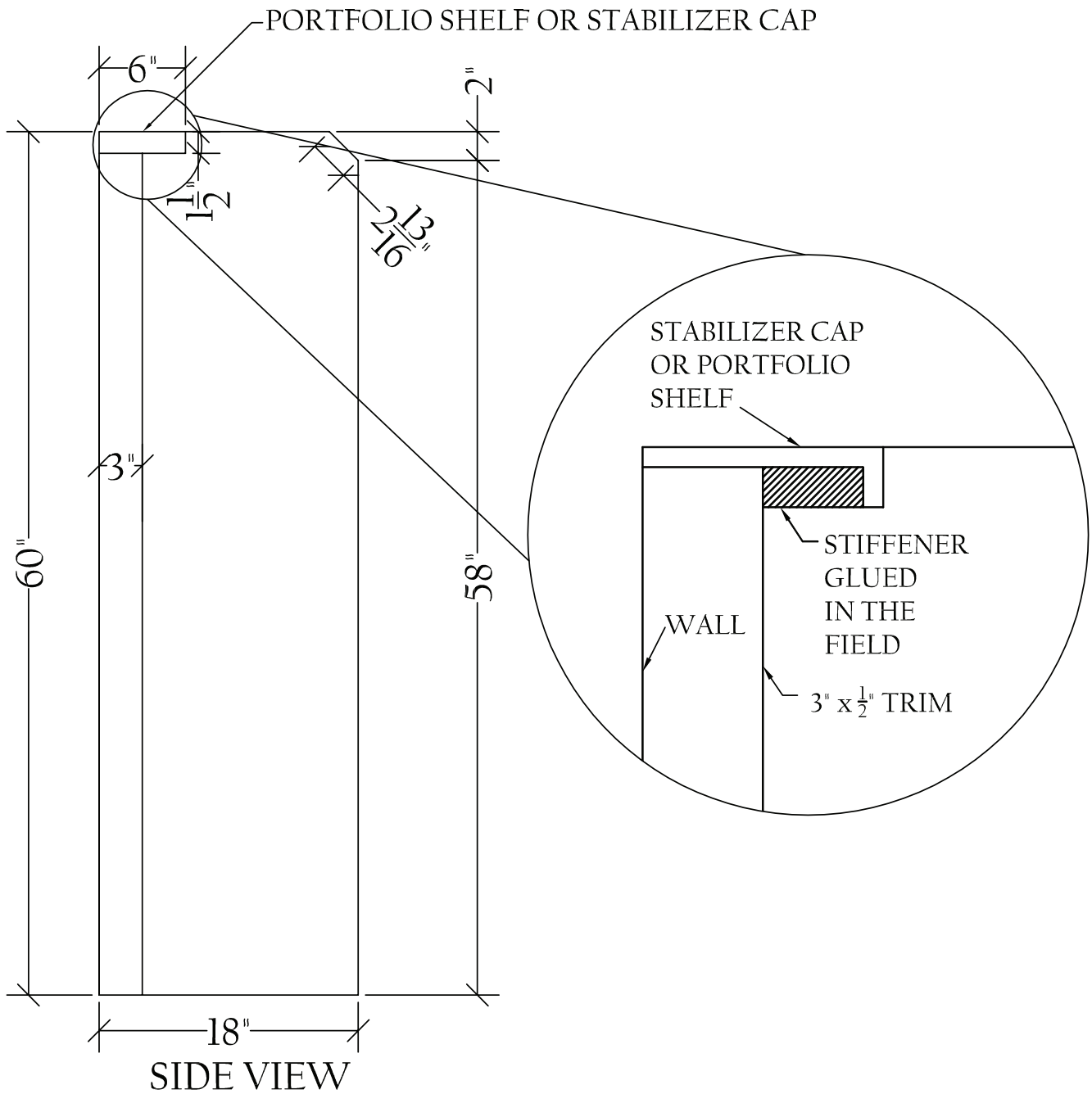


PRIVACY PLUS[®]
www.privacypluspartitions.com

ALUMINUM "U" CHANNEL END WALL PILASTERS BRACKET

Privacy Plus® Partitions WITH DuPont™ Corian® solid surface

SPECIFICATIONS

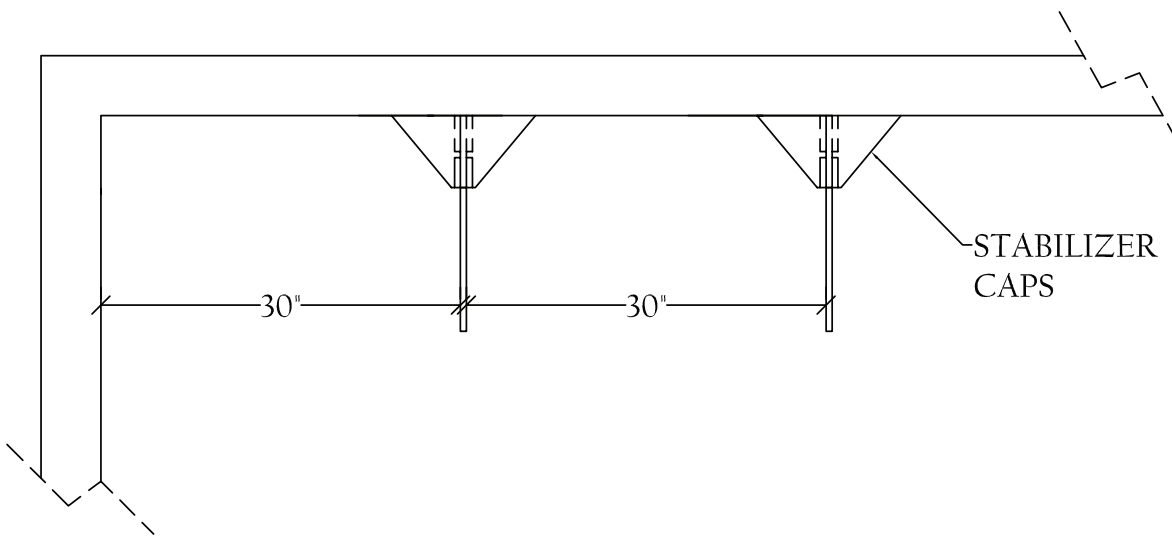


PRIVACY PLUS®
www.privacypluspartitions.com

STANDARD URINAL SCREEN TOP AND SIDE VIEW

Privacy Plus[®] Partitions WITH DuPont[™] Corian[®] solid surface

SPECIFICATIONS

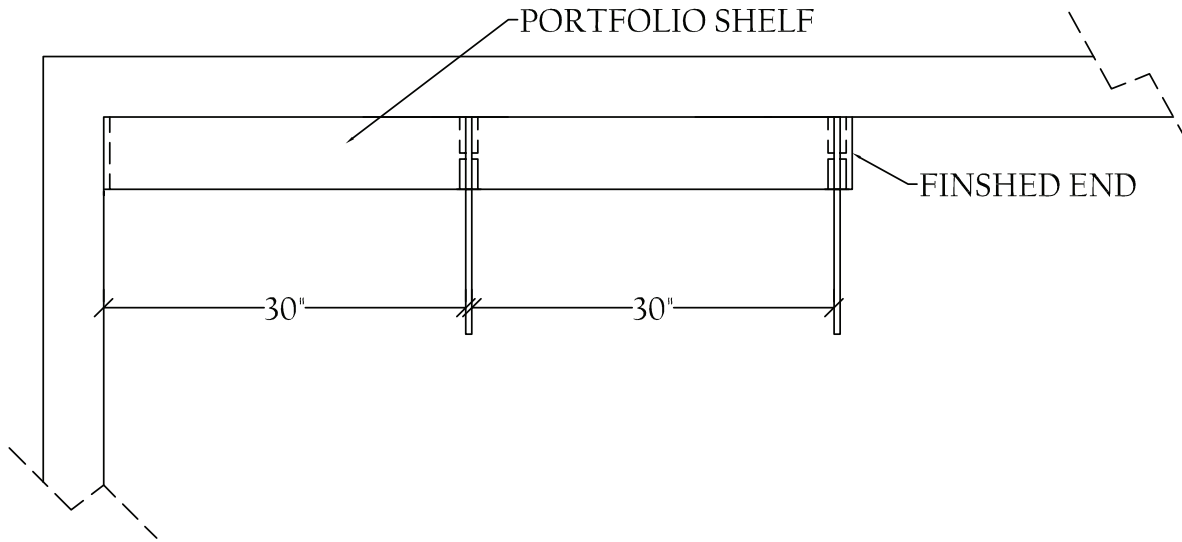


PRIVACY PLUS[®]
www.privacypluspartitions.com

STANDARD URINAL SCREEN - PLAN VIEW

Privacy Plus® Partitions WITH DuPont™ Corian® solid surface

SPECIFICATIONS



PRIVACY PLUS®
www.privacypluspartitions.com

OPTIONAL URINAL SCREEN WITH PORTFOLIO SHELF - PLAN VIEW

For more information about Privacy Plus® Partitions with DuPont™ Corian®, please call 847-760-0543 or visit PrivacyPlusPartitions.com.



The DuPont Oval logo, DuPont™ and Corian® are trademarks or registered trademarks of E.I. du Pont de Nemours and Company and are used under license by Gerali Custom Design, Inc. GREENGUARD Indoor Air Quality Certified® is a registered trademark of GREENGUARD Environmental Institute. NSF and the mark are registered trademarks of NSF International. Privacy Plus® is a registered trademark of Gerali Custom Designs, Inc. All rights reserved.

K27481 (4/14)

Privacy Plus®

with
DuPont™ Corian®

