

5218 SINK

Neat Collection

Extra-deep bowl

- Made from an acrylic-polyester based material
- Nonporous surface, that with proper cleaning, resists mold, mildew and stains
- Larger, less deep square suitable as a lab sink
- Offset drain to minimize splash

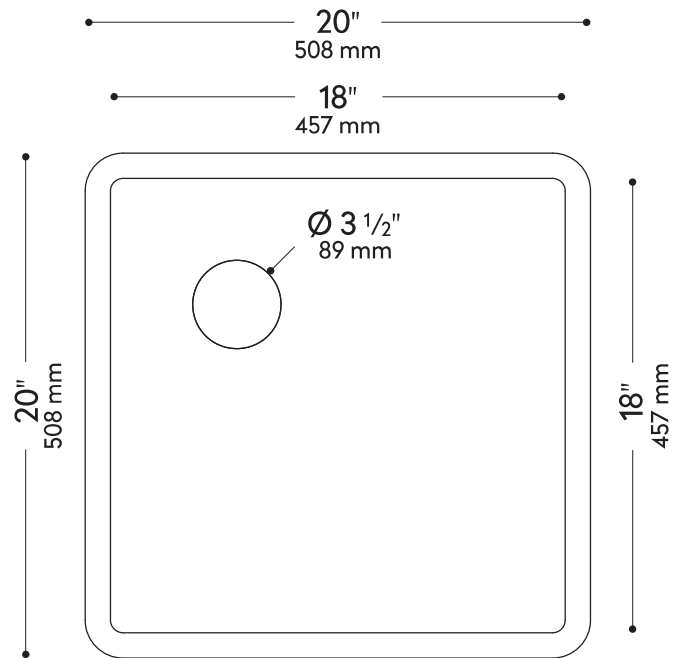
INSIDE SINK DIMENSIONS

	Length	Width	Depth
inches	18	18	9
mm	457	457	229

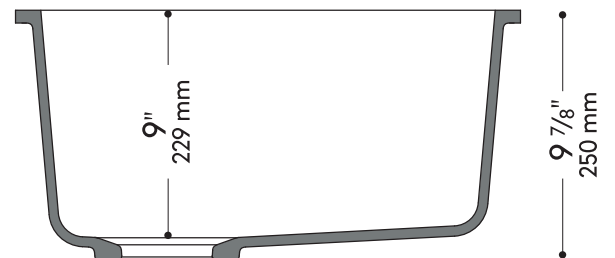
Measurements rounded to nearest 1/8" or mm



TOP VIEW



FRONT CROSS SECTION



DRAIN

All drain holes in sinks are nominally 3 1/2" in diameter and accept all standard drain hardware.