

8252 LAVATORY

Accessible Collection

Rectangular lavatory with front to back slope

- Standard Integral Left Side Overflow
- Option: No Overflow
- Made from an acrylic polyester-based material
- Nonporous surface, that with proper cleaning, resists mold, mildew and stains
- ADA compliant when installed according to guidelines

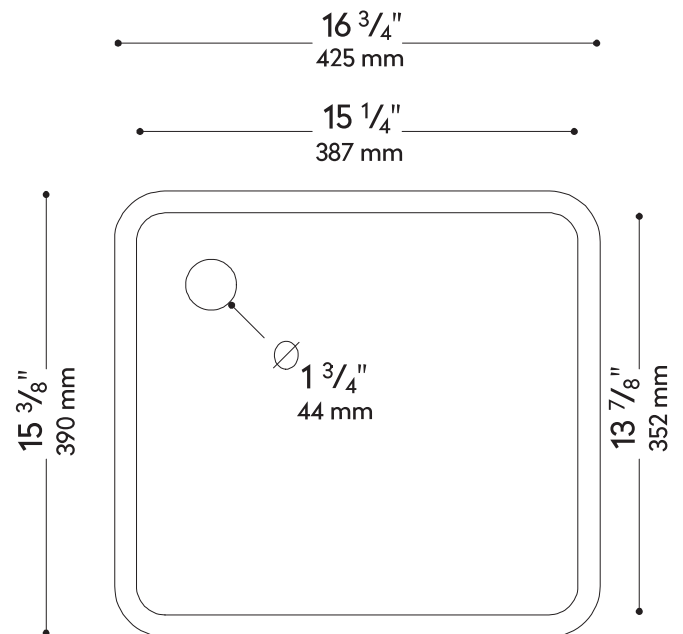
INSIDE SINK DIMENSIONS

	Length	Width	Depth
inches	15 1/4	13 7/8	5 1/4
mm	387	352	133

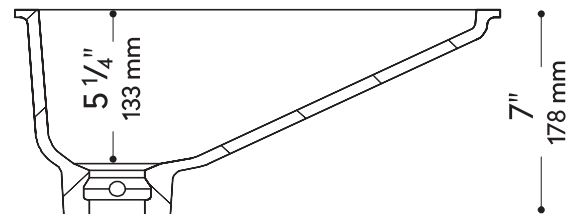
Measurements rounded to nearest 1/8" or mm



TOP VIEW



SIDE VIEW



DRAIN

All drain holes in sinks are nominally 1 3/4" in diameter and accept all standard drain hardware.