

# 9412 SINK

## Precision Collection

### *Double-bowl sink with square bowls*

- Made from an acrylic-polyester based material
- Nonporous surface, that with proper cleaning, resists mold, mildew and stains
- Straight sides with sharp corners
- Squared and recessed bull-nose divider separate sinks

#### SINK DIMENSIONS

	Length	Width	Depth
inches	31	16 <sup>3</sup> / <sub>4</sub>	7 <sup>1</sup> / <sub>2</sub>
mm	787	425	190

#### LEFT BOWL DIMENSIONS

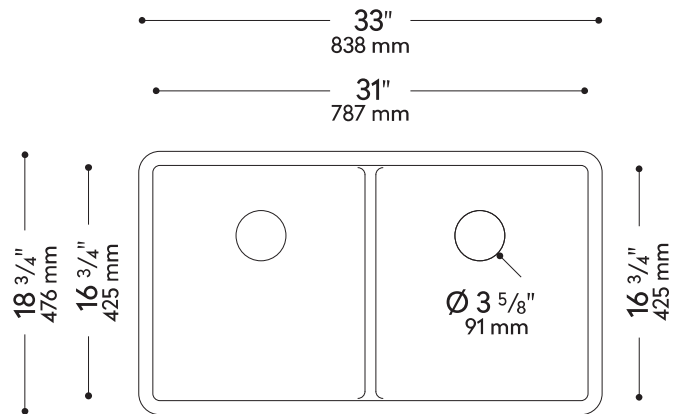
	Length	Width	Depth
inches	15 <sup>1</sup> / <sub>8</sub>	16 <sup>3</sup> / <sub>4</sub>	7 <sup>1</sup> / <sub>2</sub>
mm	384	425	190

#### RIGHT BOWL DIMENSIONS

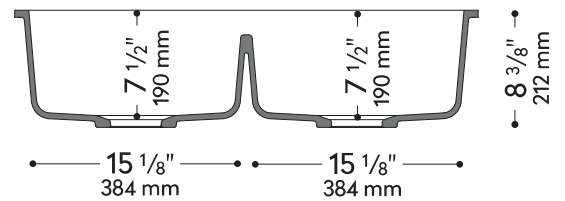
	Length	Width	Depth
inches	15 <sup>1</sup> / <sub>8</sub>	16 <sup>3</sup> / <sub>4</sub>	7 <sup>1</sup> / <sub>2</sub>
mm	384	425	190

Measurements rounded to nearest <sup>1</sup>/<sub>8</sub>" or mm

#### TOP VIEW



#### FRONT CROSS SECTION



#### DRAIN

All drain holes in sinks are nominally 3 <sup>5</sup>/<sub>8</sub>" in diameter and accept all standard drain hardware.

